

Parts List

Ref	Var	IPN	Description	Ref	Var	IPN	Description	Ref	Var	IPN	Description
C100		018-13150-00	Cap 0603 150p 50v NPO +-5%	C338		018-13150-00	Cap 0603 150p 50v NPO +-5%	C396F	H6	015-22120-05	Cap 0805 12p 1% NPO 200v
C101		018-13150-00	Cap 0603 150p 50v NPO +-5%	C339		018-13150-00	Cap 0603 150p 50v NPO +-5%	C396G	H5	015-22180-05	Cap 0805 18p 1% 200v
C102		018-13150-00	Cap 0603 150p 50v NPO +-5%	C340		018-14100-00	Cap 0603 1n 50v X7r +-10%	C396G	H6	Not fitted	
C103		015-26100-08	Cap Cer 0805 100n 10% X7r 50v	C341		018-13220-00	Cap 0603 220p 50v NPO+-5%	C397B	H5	Not fitted	
C114	H5	018-12560-10	Cap 0603 56p 50v NPO +-1%	C342		018-13220-00	Cap 0603 220p 50v NPO+-5%	C397B	H6	015-22220-05	Cap 0805 22p 1% 200v
C114	H6	Not fitted		C343		018-13220-00	Cap 0603 220p 50v NPO+-5%	C397D	H5	015-22270-05	Cap Cer 0805 27p+-0.1pf 200v
C201		018-14470-00	Cap 0603 4n7 50v X7r+-10%	C344		018-13220-00	Cap 0603 220p 50v NPO+-5%	C397D	H6	Not fitted	
C202		015-07470-10	Cap Cer 1206 4u7 X7r 16v	C346		018-13150-00	Cap 0603 150p 50v NPO +-5%	C397E	H5	Not fitted	
C203		018-16100-00	Cap 0603 100n 16vx7r+-10%	C347		018-13150-00	Cap 0603 150p 50v NPO +-5%	C397E	H6	015-22120-05	Cap 0805 12p 1% NPO 200v
C204		018-16100-00	Cap 0603 100n 16vx7r+-10%	C348		015-23150-05	Cap 0805 150p 1% 200v Grm40	C397F	H5	015-22180-05	Cap 0805 18p 1% 200v
C205		018-16100-00	Cap 0603 100n 16vx7r+-10%	C349		015-23150-05	Cap 0805 150p 1% 200v Grm40	C397F	H6	015-22120-05	Cap 0805 12p 1% NPO 200v
C206		018-13680-00	Cap 0603 680p 50v X7r+-10%	C350		015-23150-05	Cap 0805 150p 1% 200v Grm40	C397G	H5	015-22180-05	Cap 0805 18p 1% 200v
C207		015-07220-08	Cap Cer 1206 2u2 16v X7r	C353		015-21820-05	Cap Cer 0805 8p2+-0.1pf 200v	C397G	H6	Not fitted	
C208		018-13680-00	Cap 0603 680p 50v X7r+-10%	C354		015-21680-05	Cap Cer 0805 6p8+-0.1pf 200v	C398A	H5	015-22150-05	Cap 0805 15p 1% 200v
C209		018-16100-00	Cap 0603 100n 16vx7r+-10%	C355		015-21820-05	Cap Cer 0805 8p2+-0.1pf 200v	C398A	H6	015-22100-05	Cap Cer 0805 10p +0.1pf 200v
C210		018-12680-10	Cap 0603 68p 50v NPO +-1%	C356		018-13150-00	Cap 0603 150p 50v NPO +-5%	C398B	H5	015-22150-05	Cap 0805 15p 1% 200v
C211		018-16100-00	Cap 0603 100n 16vx7r+-10%	C357		018-13150-00	Cap 0603 150p 50v NPO +-5%	C398B	H6	015-22100-05	Cap Cer 0805 10p +0.1pf 200v
C212		014-07470-05	Cap Tant SMD 4u7 16v 10% A	C358		018-12100-10	Cap 0603 10p 50v NPO+-0.1	C398C	H5	015-22120-05	Cap 0805 12p 1% NPO 200v
C213		018-16100-00	Cap 0603 100n 16vx7r+-10%	C359		018-13150-00	Cap 0603 150p 50v NPO +-5%	C398C	H6	015-21820-05	Cap Cer 0805 8p2+-0.1pf 200v
C214		018-16100-00	Cap 0603 100n 16vx7r+-10%	C360		018-13150-00	Cap 0603 150p 50v NPO +-5%	C398D	H5	015-22120-05	Cap 0805 12p 1% NPO 200v
C215		018-16100-00	Cap 0603 100n 16vx7r+-10%	C361		015-21820-05	Cap Cer 0805 8p2+-0.1pf 200v	C398D	H6	015-21820-05	Cap Cer 0805 8p2+-0.1pf 200v
C216		018-16100-00	Cap 0603 100n 16vx7r+-10%	C362		015-21680-05	Cap Cer 0805 6p8+-0.1pf 200v	C398E	H5	Not fitted	
C217		018-16100-00	Cap 0603 100n 16vx7r+-10%	C363		015-21820-05	Cap Cer 0805 8p2+-0.1pf 200v	C398E	H6	015-21820-05	Cap Cer 0805 8p2+-0.1pf 200v
C218		018-14100-00	Cap 0603 1n 50v X7r +-10%	C364		015-21120-05	Cap Cer 0805 1p2 +0.1pf 2	C398F	H5	Not fitted	
C219		018-16100-00	Cap 0603 100n 16vx7r+-10%	C365		018-13150-00	Cap 0603 150p 50v NPO +-5%	C398F	H6	015-21820-05	Cap Cer 0805 8p2+-0.1pf 200v
C220		018-16100-00	Cap 0603 100n 16vx7r+-10%	C366		015-21120-05	Cap Cer 0805 1p2 +0.1pf 2	C399I	H5	015-21470-05	Cap Cer 0805 4p7+-0.1pf 200v
C221		018-16100-00	Cap 0603 100n 16vx7r+-10%	C367	H5	018-11470-10	Cap 0603 4p7 50v NPO+-0.1p	C399I	H6	Not fitted	
C222		018-13100-10	Cap 0603 100p 50v NPO+-1%	C367	H6	018-11390-10	Cap 0603 3p9 50v NPO+-0.1p	C399I	H5	015-21560-05	Cap Cer 0805 5p6 +0.1pf 200v
C223		018-16100-00	Cap 0603 100n 16vx7r+-10%	C369		015-21150-05	Cap Cer 0805 1p5 +0.1pf 200v	C399J	H6	Not fitted	
C224		015-27100-10	Cap Cer 0805 1m+80-20% Y5v 16v	C371	H5	018-11820-10	Cap 0603 8p2 50v NPO+-0.1p	C399K	H5	015-21470-05	Cap Cer 0805 4p7+-0.1pf 200v
C225		018-16100-00	Cap 0603 100n 16vx7r+-10%	C371	H6	018-11600-10	Cap 0603 6p0 50v NPO+-0.1p	C399K	H6	Not fitted	
C226		018-16100-00	Cap 0603 100n 16vx7r+-10%	C372		015-21180-05	Cap Cer 0805 1p8 +0.1 200v	C399L	H5	015-21470-05	Cap Cer 0805 4p7+-0.1pf 200v
C227		018-16100-00	Cap 0603 100n 16vx7r+-10%	C373		015-21180-05	Cap Cer 0805 1p8 +0.1 200v	C399L	H6	Not fitted	
C228		015-26100-08	Cap Cer 0805 100n 10% X7r 50v	C374	H5	015-21180-05	Cap Cer 0805 1p8 +0.1 200v	C399O	H5	Not fitted	
C300		018-15100-00	Cap 0603 10n 50v X7r +-10%	C374	H6	015-21220-05	Cap Cer 0805 2p2 +-0.1pf 200v	C399O	H6	015-21330-05	Cap Cer 0805 3p3+-0.1pf 200v
C301		018-15100-00	Cap 0603 10n 50v X7r +-10%	C375		015-21180-05	Cap Cer 0805 1p8 +0.1 200v	C399P	H5	Not fitted	
C302		018-15100-00	Cap 0603 10n 50v X7r +-10%	C376	H5	015-21150-05	Cap Cer 0805 1p5 +0.1pf 200v	C399P	H6	015-21330-05	Cap Cer 0805 3p3+-0.1pf 200v
C303		018-13150-00	Cap 0603 150p 50v NPO +-5%	C376	H6	015-21220-05	Cap Cer 0805 2p2 +-0.1pf 200v	C399Q	H5	Not fitted	
C304		018-11120-10	Cap 0603 1p2 50v NPO+-0.1p	C377	H5	015-21120-05	Cap Cer 0805 1p2 +0.1pf 2	C399Q	H6	015-21270-05	Cap Cer 0805 2p7 +0.1pf 200v
C305		018-16100-00	Cap 0603 100n 16vx7r+-10%	C377	H6	Not fitted		C399R	H5	Not fitted	
C306		018-15100-00	Cap 0603 10n 50v X7r +-10%	C378	H5	015-21120-05	Cap Cer 0805 1p2 +0.1pf 2	C399R	H6	015-21270-05	Cap Cer 0805 2p7 +0.1pf 200v
C307		018-13150-00	Cap 0603 150p 50v NPO +-5%	C378	H6	Not fitted		C400	H5	018-11560-10	Cap 0603 5p6 50v NPO+-0.1p
C308		018-13470-00	Cap 0603 470p 50v X7r+-10%	C379		015-21180-05	Cap Cer 0805 1p8 +0.1 200v	C400	H6	018-11470-10	Cap 0603 4p7 50v NPO+-0.1p
C309	H5	018-12150-10	Cap 0603 15p 50v NPO +-1%	C380		015-21180-05	Cap Cer 0805 1p8 +0.1 200v	C401	H5	018-11470-10	Cap 0603 4p7 50v NPO+-0.1p
C309	H6	018-11820-10	Cap 0603 8p2 50v NPO+-0.1p	C381		015-21180-05	Cap Cer 0805 1p8 +0.1 200v	C401	H6	018-11330-10	Cap 0603 3p3 50v NPO+-0.1p
C310		018-14100-00	Cap 0603 1n 50v X7r +-10%	C382	H5	015-21180-05	Cap Cer 0805 1p8 +0.1 200v	C402		018-11330-10	Cap 0603 3p3 50v NPO+-0.1p
C311		018-13270-00	Cap 0603 270p 50v NPO+-5%	C382	H6	015-21220-05	Cap Cer 0805 2p2 +-0.1pf 200v	C403	H5	018-12390-10	Cap 0603 3p9 50v NPO +-1%
C312		018-15100-00	Cap 0603 10n 50v X7r +-10%	C383	H5	015-21150-05	Cap Cer 0805 1p5 +0.1pf 200v	C403	H6	018-12270-10	Cap 0603 27p 50v NPO +-1%
C313		018-15100-00	Cap 0603 10n 50v X7r +-10%	C383	H6	015-21220-05	Cap Cer 0805 2p2 +-0.1pf 200v	C404		018-15100-00	Cap 0603 10n 50v X7r +-10%
C314	H5	018-12390-10	Cap 0603 39p 50v NPO +-1%	C384	H5	015-21100-05	Cap Cer 0805 1p0 +-0.1pf 200v	C405	H5	018-11560-10	Cap 0603 5p6 50v NPO+-0.1p
C314	H6	018-12270-10	Cap 0603 27p 50v NPO +-1%	C384	H6	Not fitted		C405	H6	018-11470-10	Cap 0603 4p7 50v NPO+-0.1p
C315		018-13150-00	Cap 0603 150p 50v NPO +-5%	C385		015-21100-05	Cap Cer 0805 1p0 +-0.1pf 200v	C406	H5	018-11330-10	Cap 0603 3p3 50v NPO+-0.1p
C316		018-15100-00	Cap 0603 10n 50v X7r +-10%	C386		015-21100-05	Cap Cer 0805 1p0 +-0.1pf 200v	C406	H6	018-11120-10	Cap 0603 1p2 50v NPO+-0.1p
C317	H5	015-23270-05	Cap 0805 270p 1% 200v Grm40	C387	H5	Not fitted		C408		018-12100-10	Cap 0603 10p 50v NPO+-0.1
C317	H6	015-23150-05	Cap 0805 150p 1% 200v Grm40	C387	H6	015-21100-05	Cap Cer 0805 1p0 +-0.1pf 200v	C409		018-15100-00	Cap 0603 10n 50v X7r +-10%
C318		015-23150-01	Cap Cer 0805 150p 5% NPO 50v	C388		018-14470-00	Cap 0603 4n7 50v X7r+-10%	C410		018-16100-00	Cap 0603 100n 16vx7r+-10%
C319		018-12100-10	Cap 0603 10p 50v NPO+-0.1	C389	H5	015-23270-05	Cap 0805 270p 1% 200v Grm40	C411		018-15100-00	Cap 0603 10n 50v X7r +-10%
C320		015-22270-05	Cap Cer 0805 27p+-0.1pf 200v	C389	H6	015-23150-05	Cap 0805 150p 1% 200v Grm40	C412		018-16100-00	Cap 0603 100n 16vx7r+-10%
C321	H5	015-22330-05	Cap Cer 0805 33p+-0.1pf 200v	C390	H5	038-10000-00	Res 0603 Zero Ohm 1/16w +-5%	C413		018-14100-00	Cap 0603 1n 50v X7r +-10%
C321	H6	015-22220-05	Cap 0805 22p 1% 200v	C390	H6	018-13270-00	Cap 0603 270p 50v NPO+-5%	C414		018-12270-10	Cap 0603 27p 50v NPO +-1%
C322		018-14100-00	Cap 0603 1n 50v X7r +-10%	C391		018-16100-00	Cap 0603 100n 16vx7r+-10%	C415		018-15150-00	Cap 0603 15n 50v X7r +-10%
C323		018-16100-00	Cap 0603 100n 16vx7r+-10%	C392		018-16100-00	Cap 0603 100n 16vx7r+-10%	C416		018-12390-10	Cap 0603 39p 50v NPO +-1%
C324		018-13470-00	Cap 0603 470p 50v X7r+-10%	C393		018-16100-00	Cap 0603 100n 16vx7r+-10%	C417		018-16100-00	Cap 0603 100n 16vx7r+-10%
C325		015-26100-08	Cap Cer 0805 100n 10% X7r 50v	C394		018-15470-00	Cap 0603 47n 16v X7r+-10%	C418		018-16100-00	Cap 0603 100n 16vx7r+-10%
C326	H5	015-23220-05	Cap 0805 220p 1% 200v Grm40	C395A	H5	015-23180-05	Cap 0805 180p 1% 200v Grm40	C419		018-16100-00	Cap 0603 100n 16vx7r+-10%
C326	H6	015-23150-05	Cap 0805 150p 1% 200v Grm40	C395A	H6	015-22820-05	Cap 0805 82p 1% 200v Grm40	C420	H5	018-11560-10	Cap 0603 5p6 50v NPO+-0.1p
C327	H5	015-23220-05	Cap 0805 220p 1% 200v Grm40	C395D	H5	015-22820-05	Cap 0805 82p 1% 200v Grm40	C420	H6	018-11390-10	Cap 0603 3p9 50v NPO+-0.1p
C327	H6	015-23150-05	Cap 0805 150p 1% 200v Grm40	C395D	H6	Not fitted		C421		018-15100-00	Cap 0603 10n 50v X7r +-10%
C328	H5	015-22390-05	Cap 0805 39p 1% 200v	C395E	H5	Not fitted		C422	H5	018-11470-10	Cap 0603 4p7 50v NPO+-0.1p
C328	H6	015-22330-05	Cap Cer 0805 33p+-0.1pf 200v	C395E	H6	015-23120-05	Cap 0805 120p 1% 200v Grm40	C422	H6	018-11330-10	Cap 0603 3p3 50v NPO+-0.1p
C329	H5	015-22390-05	Cap 0805 39p 1% 200v	C396B	H5	Not fitted		C423		018-15100-00	Cap 0603 10n 50v X7r +-10%
C329	H6	015-22330-05	Cap Cer 0805 33p+-0.1pf 200v	C396B	H6	015-22220-05	Cap 0805 22p 1% 200v	C424		018-11330-10	Cap 0603 3p3 50v NPO+-0.1p
C330		015-26100-08	Cap Cer 0805 100n 10% X7r 50v	C396D	H5	015-22270-05	Cap Cer 0805 27p+-0.1pf 200v	C425		018-12330-10	Cap 0603 33p 50v NPO +-1%
C331		015-02680-07	Cap Cer 1111 68p 5% 500v C17cf	C396D	H6	Not fitted		C426		018-16100-00	Cap 0603 100n 16vx7r+-10%
C333		015-23150-01	Cap Cer 0805 150p 5% NPO 50v	C396E	H5	Not fitted		C427		018-13100-10	Cap 0603 100p 50v NPO+-1%
C334		015-02680-07	Cap Cer 1111 68p 5% 500v C17cf	C396E	H6	015-22120-05	Cap 0805 12p 1% NPO 200v	C428		018-13100-10	Cap 060

Parts List

PCB IPN 220-01697-05

Ref	Var	IPN	Description	Ref	Var	IPN	Description	Ref	Var	IPN	Description	Ref	Var	IPN	Description
C429	H6	018-12270-10	Cap 0603 27p 50v NPO +-1%	C529		018-16100-00	Cap 0603 100n 16vx7r+-10%	C605		015-26100-08	Cap Cer 0805 100n 10% X7r 50v	D502		001-10005-35	Diode SMD BB535 Vcap SOD323
C430		018-16100-00	Cap 0603 100n 16vx7r+-10%	C530		018-15100-00	Cap 0603 10n 50v X7r +-10%	C606		015-26100-08	Cap Cer 0805 100n 10% X7r 50v	D503		001-10099-01	Diode BAV99w Dual Ss
C431		018-16100-00	Cap 0603 100n 16vx7r+-10%	C531		015-07470-08	Cap 1206 4u7 -20%+80% Y5v 16v	C608		018-15100-00	Cap 0603 10n 50v X7r +-10%	D504		001-10005-35	Diode SMD BB535 Vcap SOD323
C432	H5	018-11330-10	Cap 0603 3p3 50v NPO+-0.1p	C532		018-12330-10	Cap 0603 33p 50v NPO +-1%	C609		018-16100-00	Cap 0603 100n 16vx7r+-10%	D505		001-10005-35	Diode SMD BB535 Vcap SOD323
C432	H6	018-11120-10	Cap 0603 1p2 50v NPO+-0.1p	C533		018-16100-00	Cap 0603 100n 16vx7r+-10%	C610		018-16100-00	Cap 0603 100n 16vx7r+-10%	D506		001-10005-35	Diode SMD BB535 Vcap SOD323
C433	H5	018-11180-10	Cap 0603 1p8 50v NPO+-0.1p	C534		018-13330-00	Cap 0603 330p 50v X7r+-10%	C611		014-07470-05	Cap Tant SMD 4u7 16v 10% A	D507		001-10005-35	Diode SMD BB535 Vcap SOD323
C433	H6	018-11220-10	Cap 0603 2p2 50v NPO+-0.1p	C535		018-16100-00	Cap 0603 100n 16vx7r+-10%	C613		014-08100-30	Cap Tant SMD 100u 10v Loesr D	D508		001-10005-35	Diode SMD BB535 Vcap SOD323
C434		018-15100-00	Cap 0603 10n 50v X7r +-10%	C536		018-15100-00	Cap 0603 10n 50v X7r +-10%	C614		018-16100-00	Cap 0603 100n 16vx7r+-10%	D509		001-10005-35	Diode SMD BB535 Vcap SOD323
C435	H5	018-12390-10	Cap 0603 39p 50v NPO +-1%	C537		018-14100-00	Cap 0603 1n 50v X7r +-10%	C615		018-16100-00	Cap 0603 100n 16vx7r+-10%	D510	H5	001-10005-35	Diode SMD BB535 Vcap SOD323
C435	H6	018-12270-10	Cap 0603 27p 50v NPO +-1%	C538		018-16100-00	Cap 0603 100n 16vx7r+-10%	C616		015-07220-08	Cap Cer 1206 2u2 16v X7r	D510	H6		Not fitted
C436		018-11470-10	Cap 0603 4p7 50v NPO+-0.1p	C539		018-16100-00	Cap 0603 100n 16vx7r+-10%	C617		015-07220-08	Cap Cer 1206 2u2 16v X7r	D511	H5	001-10005-35	Diode SMD BB535 Vcap SOD323
C437	H5	018-11330-10	Cap 0603 3p3 50v NPO+-0.1p	C540		018-16100-00	Cap 0603 100n 16vx7r+-10%	C618		018-16100-00	Cap 0603 100n 16vx7r+-10%	D511	H6		Not fitted
C437	H6	018-11120-10	Cap 0603 1p2 50v NPO+-0.1p	C541		018-15100-00	Cap 0603 10n 50v X7r +-10%	C619		018-16100-00	Cap 0603 100n 16vx7r+-10%	D600		001-10153-00	Diode SMD SM15T30a TransII Smc
C438		018-11330-10	Cap 0603 3p3 50v NPO+-0.1p	C542		018-16100-00	Cap 0603 100n 16vx7r+-10%	C620		018-15100-00	Cap 0603 10n 50v X7r +-10%	D601		001-10070-01	Diode BAV70W Dual Ss SOT323
C439	H5	018-11470-10	Cap 0603 4p7 50v NPO+-0.1p	C543		018-16100-00	Cap 0603 100n 16vx7r+-10%	C621		018-16100-00	Cap 0603 100n 16vx7r+-10%	D602		001-10054-02	Diode SMD BAT54AW SOT-323
C439	H6	018-11330-10	Cap 0603 3p3 50v NPO+-0.1p	C544		014-07100-02	Cap Tant SMD 1u0 16v 20% A	C622		018-16100-00	Cap 0603 100n 16vx7r+-10%	D603		001-10070-01	Diode BAV70W Dual Ss SOT323
C440		018-15100-00	Cap 0603 10n 50v X7r +-10%	C545	H5	018-11470-10	Cap 0603 4p7 50v NPO+-0.1p	C623		014-07470-10	Cap Tant Smd 4U7 10V 10% 0603	D604		001-10070-01	Diode BAV70W Dual Ss SOT323
C441	H5	018-11560-10	Cap 0603 5p6 50v NPO+-0.1p	C545	H6	018-12100-10	Cap 0603 10p 50v NPO+-0.1	C700		018-13100-10	Cap 0603 100p 50v NPO+-1%	D606		001-10014-03	Diode SMD MBR5140T3 Sch
C441	H6	018-11390-10	Cap 0603 3p9 50v NPO+-0.1p	C546		018-16100-00	Cap 0603 100n 16vx7r+-10%	C701		018-13100-10	Cap 0603 100p 50v NPO+-1%	D700		001-10099-01	Diode BAV99w Dual Ss
C442		018-12100-10	Cap 0603 10p 50v NPO+-0.1	C547		018-13150-00	Cap 0603 150p 50v NPO +-5%	C702		018-13100-10	Cap 0603 100p 50v NPO+-1%	D701		001-10099-01	Diode BAV99w Dual Ss
C443		018-12100-10	Cap 0603 10p 50v NPO+-0.1	C548	H5	013-16180-65	Cap SMD PPS 180n 50v 5% 4036	C703		018-13100-10	Cap 0603 100p 50v NPO+-1%	D702		001-10099-01	Diode BAV99w Dual Ss
C444		018-15100-00	Cap 0603 10n 50v X7r +-10%	C548	H6	013-16150-65	Cap Smd PPS 150n 50v 5% 4036	C704		018-14100-00	Cap 0603 1n 50v X7r +-10%	D703		001-10070-01	Diode BAV70W Dual Ss SOT323
C445		018-15100-00	Cap 0603 10n 50v X7r +-10%	C549	H5	018-11270-10	Cap 0603 2p7 50v NPO+-0.1p	C705		018-14100-00	Cap 0603 1n 50v X7r +-10%	D704		001-10084-33	Diode SMD BZX84C3V3 Zen SOT23
C446		018-15100-00	Cap 0603 10n 50v X7r +-10%	C549	H6	018-11220-10	Cap 0603 2p2 50v NPO+-0.1p	C706		018-15100-00	Cap 0603 10n 50v X7r +-10%	D705		001-10070-01	Diode BAV70W Dual Ss SOT323
C448		018-13100-10	Cap 0603 100p 50v NPO+-1%	C550		015-07470-10	Cap Cer 1206 4u7 X7r 16v	C707		018-16100-00	Cap 0603 100n 16vx7r+-10%	D706		001-10070-01	Diode BAV70W Dual Ss SOT323
C449		018-15100-00	Cap 0603 10n 50v X7r +-10%	C551		018-13150-00	Cap 0603 150p 50v NPO +-5%	C708		018-15100-00	Cap 0603 10n 50v X7r +-10%	D707		001-10070-01	Diode BAV70W Dual Ss SOT323
C450		018-13100-10	Cap 0603 100p 50v NPO+-1%	C552		018-16100-00	Cap 0603 100n 16vx7r+-10%	C709		018-15100-00	Cap 0603 10n 50v X7r +-10%	D708		001-10070-01	Diode BAV70W Dual Ss SOT323
C451		018-11820-10	Cap 0603 8p2 50v NPO+-0.1p	C553		018-13150-00	Cap 0603 150p 50v NPO +-5%	C710		018-13470-00	Cap 0603 470p 50v X7r+-10%	D709		001-10099-01	Diode BAV99w Dual Ss
C452		018-16100-00	Cap 0603 100n 16vx7r+-10%	C554	H5	018-11470-10	Cap 0603 4p7 50v NPO+-0.1p	C711		018-13470-00	Cap 0603 470p 50v X7r+-10%	D710		001-10070-01	Diode BAV70W Dual Ss SOT323
C454		018-16100-00	Cap 0603 100n 16vx7r+-10%	C554	H6	018-11390-10	Cap 0603 3p9 50v NPO+-0.1p	C712		018-13470-00	Cap 0603 470p 50v X7r+-10%	D711		001-10070-01	Diode BAV70W Dual Ss SOT323
C455		018-15100-00	Cap 0603 10n 50v X7r +-10%	C555		018-14680-00	CAP 0603 6N8 50V X7R +-10%	C713		018-13470-00	Cap 0603 470p 50v X7r+-10%	D712		001-10099-01	Diode BAV99w Dual Ss
C456		018-12220-10	Cap 0603 22p 50v NPO+-0.1	C556		018-13150-00	Cap 0603 150p 50v NPO +-5%	C714		018-16100-00	Cap 0603 100n 16vx7r+-10%	D713		001-10099-01	Diode BAV99w Dual Ss
C457		018-16100-00	Cap 0603 100n 16vx7r+-10%	C557	H5	018-11120-10	Cap 0603 1p2 50v NPO+-0.1p	C715		015-26100-08	Cap Cer 0805 100n 10% X7r 50v	D714		001-10099-01	Diode BAV99w Dual Ss
C458		018-16100-00	Cap 0603 100n 16vx7r+-10%	C557	H6	018-11050-10	Cap 0603 0p5 50v NPO +-0.1p	C717		018-16100-00	Cap 0603 100n 16vx7r+-10%	D715		001-10070-01	Diode BAV70W Dual Ss SOT323
C459		018-16100-00	Cap 0603 100n 16vx7r+-10%	C558		018-13150-00	Cap 0603 150p 50v NPO +-5%	C718		018-16100-00	Cap 0603 100n 16vx7r+-10%	D716		001-10099-01	Diode BAV99w Dual Ss
C460		018-16100-00	Cap 0603 100n 16vx7r+-10%	C559		018-13150-00	Cap 0603 150p 50v NPO +-5%	C719		018-15100-00	Cap 0603 10n 50v X7r +-10%	D717		001-10099-01	Diode BAV99w Dual Ss
C461		018-15100-00	Cap 0603 10n 50v X7r +-10%	C560	H5	018-11180-10	Cap 0603 1p8 50v NPO+-0.1p	C720		018-15100-00	Cap 0603 10n 50v X7r +-10%	D718		001-10099-01	Diode BAV99w Dual Ss
C462		018-11100-10	Cap 0603 1p0 50v NPO+-0.1p	C560	H6	018-11120-10	Cap 0603 1p2 50v NPO+-0.1p	C721		018-15100-00	Cap 0603 10n 50v X7r +-10%	D719		001-10099-01	Diode BAV99w Dual Ss
C463		018-16100-00	Cap 0603 100n 16vx7r+-10%	C561		018-15100-00	Cap 0603 10n 50v X7r +-10%	C722		018-16100-00	Cap 0603 100n 16vx7r+-10%	D720		001-10099-01	Diode BAV99w Dual Ss
C464		018-13150-00	Cap 0603 150p 50v NPO +-5%	C562		018-13150-00	Cap 0603 150p 50v NPO +-5%	C723		018-13470-00	Cap 0603 470p 50v X7r+-10%	D721		001-10084-62	Diode SMD BZX84C6V2 Zen SOT23
C465		018-13150-00	Cap 0603 150p 50v NPO +-5%	C563		018-11680-10	Cap 0603 6p8 50v NPO+-0.1p	C724		018-13470-00	Cap 0603 470p 50v X7r+-10%	D722		001-10099-01	Diode BAV99w Dual Ss
C466		018-13270-00	Cap 0603 270p 50v NPO+-5%	C564		018-11560-10	Cap 0603 5p6 50v NPO+-0.1p	C725		018-13470-00	Cap 0603 470p 50v X7r+-10%	D723		001-10099-01	Diode BAV99w Dual Ss
C467		018-11100-10	Cap 0603 1p0 50v NPO+-0.1p	C565		013-16100-05	Cap SMD PPS 100n 16v 5% 1210	C726		018-13470-00	Cap 0603 470p 50v X7r+-10%	D724		001-10084-33	Diode SMD BZX84C3V3 Zen SOT23
C468		018-12220-10	Cap 0603 22p 50v NPO+-0.1	C566		018-13150-00	Cap 0603 150p 50v NPO +-5%	C727		018-13470-00	Cap 0603 470p 50v X7r+-10%	D725		001-10070-01	Diode BAV70W Dual Ss SOT323
C469		018-11270-10	Cap 0603 2p7 50v NPO+-0.1p	C567		018-13150-00	Cap 0603 150p 50v NPO +-5%	C728		018-13470-00	Cap 0603 470p 50v X7r+-10%	D726		001-10099-01	Diode BAV99w Dual Ss
C470		018-16100-00	Cap 0603 100n 16vx7r+-10%	C568		018-13150-00	Cap 0603 150p 50v NPO +-5%	C729		018-13470-00	Cap 0603 470p 50v X7r+-10%	DIG_BCAN		319-01258-00	Shld Can Dgtl TMA
C471		018-15100-00	Cap 0603 10n 50v X7r +-10%	C569		018-13150-00	Cap 0603 150p 50v NPO +-5%	C730		018-13470-00	Cap 0603 470p 50v X7r+-10%	DIG_TCAN		319-01258-00	Shld Can Dgtl TMA
C472		018-16100-00	Cap 0603 100n 16vx7r+-10%	C570		018-13150-00	Cap 0603 150p 50v NPO +-5%	C731		018-13470-00	Cap 0603 470p 50v X7r+-10%	DIRC_TOP		319-01255-00	Shld Can Direc-Coup TMA
C473		018-16100-00	Cap 0603 100n 16vx7r+-10%	C571	H5	018-15100-00	Cap 0603 10n 50v X7r +-10%	C732		018-13470-00	Cap 0603 470p 50v X7r+-10%	FCL_TOP		319-01257-00	Shld Can Frt End TMA
C474		018-16100-00	Cap 0603 100n 16vx7r+-10%	C571	H6	018-14470-00	Cap 0603 4n7 50v X7r+-10%	C733		015-26100-08	Cap Cer 0805 100n 10% X7r 50v	FE_TOP		319-01257-00	Shld Can Frt End TMA
C500		018-15470-10	Cap 0603 47n 16v X7r+-10%	C572	H5	018-11680-10	Cap 0603 6p8 50v NPO+-0.1p	C3003		016-08100-03	Cap Elec SMD 10uF 35V 105/2000	H5_BAND	H5	036-12100-10	Res M/F SMD 0805 10e 1%
C501		018-16100-00	Cap 0603 100n 16vx7r+-10%	C572	H6	018-11470-10	Cap 0603 4p7 50v NPO+-0.1p	C5000	H5		Not fitted	H6_BAND	H6	036-12100-10	Res M/F SMD 0805 10e 1%
C502		018-16100-00	Cap 0603 100n 16vx7r+-10												

Parts List

PCB IPN 220-01697-05

Ref	Var	IPN	Description	Ref	Var	IPN	Description	Ref	Var	IPN	Description	Ref	Var	IPN	Description
L101		057-10010-20	Ind 0603 Blm11-B102s 0.1a	LPF_TOP		319-01251-00	Shld Can Lpf TMA	R206		038-14330-00	Res 0603 3k3 1/16w +-5%	R327		038-15100-10	Res 0603 10k 1/16w +-1%
L102		057-10010-20	Ind 0603 Blm11-B102s 0.1a	MCM1		XMABP10	MCM Postage Stamp PBA TMAB1	R207		038-14120-10	Res 0603 1K2 1%	R328		036-11330-00	Res M/F SMD 0805 3e3 5%
L104		057-10081-06	Ind 1806 Blm41p750s Emi Supr	PAD_TOP		319-01254-00	Shld Can Paf TMA	R208		038-14120-10	Res 0603 1K2 1%	R329		036-11330-00	Res M/F SMD 0805 3e3 5%
L200		057-10010-20	Ind 0603 Blm11-B102s 0.1a	PAF_TOP		319-01253-00	Shld Can Paf TMA	R209		038-14150-00	Res 0603 1k5 1/16w +-5%	R330		038-11470-00	Res 0603 4e7 1/16w +-5%
L300		059-16270-00	Ind SMD 0603cs 270nh 5%	PCB		220-01697-05	Pcb UHF 400-530m Mn Brd TMA	R210		038-15470-10	Res 0603 47k 1/16w+-1%	R331		038-16100-10	Res 0603 100k 1/16w +-1%
L302		059-74680-35	Ind SMD 0603 6.8nh 5% Swi C	PIN_TOP		319-01252-00	Shld Can Pin Sw TMA	R211	H5	038-15100-10	Res 0603 10k 1/16w +-1%	R332		038-14100-10	Res 0603 1k0 1/16w +-1%
L303		052-57423-70	Coil A/W SMD 7t/2.3mm .57mm	PL100		240-00027-00	Conn 4way Power Male TMA	R211	H6	038-15100-00	Res 0603 10k 1/16w +-5%	R333		038-10000-00	Res 0603 Zero Ohm 1/16w +-5%
L306		057-10081-06	Ind 1806 Blm41p750s Emi Supr	PL103		Refer to SK102		R212		038-14470-00	Res 0603 4k7 1/16w +-5%	R334		038-14100-10	Res 0603 1k0 1/16w +-1%
L310		065-10009-20	Bead Fer SMD Bds3/3/8.9-4s2	Q200		000-10084-72	Xstr BC847BS NPN Dual SOT363	R213		038-10000-00	Res 0603 Zero Ohm 1/16w +-5%	R335		038-11470-00	Res 0603 4e7 1/16w +-5%
L311		052-57423-70	Coil A/W SMD 7t/2.3mm .57mm	Q201		000-10085-71	Xstr SMD BC857BW PNP SOT323	R214		038-10000-00	Res 0603 Zero Ohm 1/16w +-5%	R336		038-15100-10	Res 0603 10k 1/16w +-1%
L315		152-57440-90	Coil A/W SMDp 9t/4.0mm .57mm	Q300		000-10951-00	Xstr SMD PBR951 NPN SOT23	R215		038-10000-00	Res 0603 Zero Ohm 1/16w +-5%	R337		038-11470-00	Res 0603 4e7 1/16w +-5%
L316		059-16120-00	Ind SMD 0603hs 120nh 5%	Q301		000-10084-71	Xstr BC847BW NPN SOT323	R216		038-14470-00	Res 0603 4k7 1/16w +-5%	R338		036-12100-10	Res M/F SMD 0805 10e 1%
L317		152-12533-30	Coil A/W SMDp 3t/3.3mm 1.25mm	Q302		000-10084-73	Xstr BC847BPNNPN/PNP SOT363	R217		038-15150-00	Res 0603 15k 1/16w +-5%	R339		038-14470-00	Res 0603 4k7 1/16w +-5%
L319	H5	152-12525-30	Coil A/W SMDp 3t/2.5mm 1.25mm	Q303		000-10748-90	Xstr SGA7489 Casc Gain Block	R218		038-15150-00	Res 0603 15k 1/16w +-5%	R340		038-14330-00	Res 0603 3k3 1/16w +-5%
L319	H6	152-12523-30	Coil A/W SMDp 3t/2.3mm 1.25mm	Q304		000-10084-71	Xstr BC847BW NPN SOT323	R219	H5	038-15100-10	Res 0603 10k 1/16w +-1%	R341		038-14330-00	Res 0603 3k3 1/16w +-5%
L320	H5	152-12520-30	Coil A/W SMDp 3t/2.0mm 1.25mm	Q305		000-10084-71	Xstr BC847BW NPN SOT323	R219	H6	038-15100-00	Res 0603 10k 1/16w +-5%	R342		038-17221-10	Res 0603 2m21 16w +-1%
L320	H6	152-12521-30	Coil A/W SMDp 3t/2.1mm 1.25mm	Q306		000-10055-03	Xstr PD55003 3w 12.5v SO10 RF	R220	H5	038-15100-10	Res 0603 10k 1/16w +-1%	R343		036-11470-00	Res M/F SMD 0805 4e7 5%
L321	H5	152-12525-30	Coil A/W SMDp 3t/2.5mm 1.25mm	Q307		000-10084-71	Xstr BC847BW NPN SOT323	R220	H6	038-15100-00	Res 0603 10k 1/16w +-5%	R345		038-10000-00	Res 0603 Zero Ohm 1/16w +-5%
L321	H6	152-12523-30	Coil A/W SMDp 3t/2.3mm 1.25mm	Q308		000-10084-71	Xstr BC847BW NPN SOT323	R221		038-16180-00	Res 0603 180k 1/16w +-5%	R346		038-14220-00	Res 0603 2k2 1/16w +-5%
L322		059-15220-00	Ind SMD 0603hs 22nh 5%	Q309		000-10055-15	Xstr PD550155 15w 12.5v SO10RF	R222		038-16100-10	Res 0603 100k 1/16w +-1%	R347		038-16100-10	Res 0603 100k 1/16w +-1%
L400		057-00015-00	Ind Fxd 15nh +-5% 1206 Mur	Q310		000-10055-15	Xstr PD550155 15w 12.5v SO10RF	R223		038-14390-10	Res 0603 3k9 1%	R348		036-01470-03	Res 1218 4e7 5% 1w PRC201
L401		057-10010-20	Ind 0603 Blm11-B102s 0.1a	Q311		000-10442-70	Xstr SI4427DY PCH Pwr MFET SO8	R224		038-15150-00	Res 0603 15k 1/16w +-5%	R350		038-14470-00	Res 0603 4k7 1/16w +-5%
L402		059-75180-55	Ind SMD 0805 18nh 5% Swi C	Q312		000-10084-71	Xstr BC847BW NPN SOT323	R225		038-12470-00	Res 0603 47e 1/16w +-5%	R351		036-01470-03	Res 1218 4e7 5% 1w PRC201
L403		059-17180-10	Ind SMD 1008cs 1.8uh 5%	Q313		000-10084-71	Xstr BC847BW NPN SOT323	R226		038-14220-00	Res 0603 2k2 1/16w +-5%	R353		038-16100-10	Res 0603 100k 1/16w +-1%
L404		057-10010-20	Ind 0603 Blm11-B102s 0.1a	Q400		000-10085-70	Xstr BC856 PNP Dual SOT363	R227		038-14220-00	Res 0603 2k2 1/16w +-5%	R354		038-12470-00	Res 0603 47e 1/16w +-5%
L405		057-10010-20	Ind 0603 Blm11-B102s 0.1a	Q401		000-10036-00	Xstr SMD BFR360F NPN Lo Noise	R228	H5	038-15100-10	Res 0603 10k 1/16w +-1%	R355		036-03110-10	Res 2512 10r 5% 1w
L406		059-76120-85	Ind SMD 1008 120nh 5% Swi C	Q402		000-10084-71	Xstr BC847BW NPN SOT323	R228	H6	038-15100-00	Res 0603 10k 1/16w +-5%	R356		038-12470-00	Res 0603 47e 1/16w +-5%
L407		057-00015-00	Ind Fxd 15nh +-5% 1206 Mur	Q403		000-10001-71	Xstr RF BFS17W NPN SOT323UHF	R229		038-15470-10	Res 0603 47k 1/16w+-1%	R357	H5	038-15100-10	Res 0603 10k 1/16w +-1%
L408		057-10010-20	Ind 0603 Blm11-B102s 0.1a	Q404		000-10036-00	Xstr SMD BFR360F NPN Lo Noise	R230		038-15470-10	Res 0603 47k 1/16w+-1%	R357	H6	038-15100-00	Res 0603 10k 1/16w +-5%
L409		057-00015-00	Ind Fxd 15nh +-5% 1206 Mur	Q500		000-10085-71	Xstr SMD BC857BW PNP SOT323	R231		038-14120-10	Res 0603 1K2 1%	R360		038-16820-00	Res 0603 820k 1/16w +-5%
L411		056-76820-50	Ind SMD 0805 820nh 10% Ebl	Q501		000-10001-71	Xstr RF BFS17W NPN SOT323UHF	R232		038-15470-10	Res 0603 47k 1/16w+-1%	R361		038-16820-00	Res 0603 820k 1/16w +-5%
L412		056-76820-50	Ind SMD 0805 820nh 10% Ebl	Q502		000-10084-71	Xstr BC847BW NPN SOT323	R233		038-15470-10	Res 0603 47k 1/16w+-1%	R362		038-16820-00	Res 0603 820k 1/16w +-5%
L414		057-10010-20	Ind 0603 Blm11-B102s 0.1a	Q503		000-10001-71	Xstr RF BFS17W NPN SOT323UHF	R234		038-15470-10	Res 0603 47k 1/16w+-1%	R363		038-16820-00	Res 0603 820k 1/16w +-5%
L415		059-76560-85	Ind SMD 1008 560nh 5% Swi C	Q504		000-10941-00	Xstr SMD PBR941 NPN SOT23	R235		038-15470-10	Res 0603 47k 1/16w+-1%	R364		038-15330-10	Res 0603 33k 1%
L417		059-76560-85	Ind SMD 1008 560nh 5% Swi C	Q505		000-10084-71	Xstr BC847BW NPN SOT323	R236		038-14100-10	Res 0603 1k0 1/16w +-1%	R365		038-15100-10	Res 0603 10k 1/16w +-1%
L419		057-10010-20	Ind 0603 Blm11-B102s 0.1a	Q506		000-10085-70	Xstr BC856 PNP Dual SOT363	R238		038-14120-10	Res 0603 1K2 1%	R366		038-17100-00	Res 0603 1m 1/16w +-5%
L500		059-17470-15	Ind SMD 1008cs 4.7uh 2%	Q507		000-10084-72	Xstr BC847BS NPN Dual SOT363	R239		038-16100-10	Res 0603 100k 1/16w +-1%	R367		038-17100-00	Res 0603 1m 1/16w +-5%
L5000	H5	059-15390-00	Ind SMD 0603hs 39nh 5%	Q508		000-10084-72	Xstr BC847BS NPN Dual SOT363	R240		038-16120-10	Res 0603 120k 1%	R368		038-16470-00	Res 0603 470k 1/16w +-5%
L5000	H6	059-15470-00	Ind SMD 0603hs 47nh 5%	Q510		000-10941-00	Xstr SMD PBR941 NPN SOT23	R241		038-14470-00	Res 0603 4k7 1/16w +-5%	R369		038-16470-00	Res 0603 470k 1/16w +-5%
L5001		059-16270-00	Ind SMD 0603cs 270nh 5%	Q511		000-10084-73	Xstr BC847BPNNPN/PNP SOT363	R242		038-14100-10	Res 0603 1k0 1/16w +-1%	R370		038-16120-10	Res 0603 120k 1%
L5002		059-16270-00	Ind SMD 0603cs 270nh 5%	Q512		000-10084-71	Xstr BC847BW NPN SOT323	R243	H5	038-15100-10	Res 0603 10k 1/16w +-1%	R371		038-16120-10	Res 0603 120k 1%
L5003		059-15390-00	Ind SMD 0603hs 39nh 5%	Q600		000-10085-71	Xstr SMD BC857BW PNP SOT323	R243	H6	038-15100-00	Res 0603 10k 1/16w +-5%	R372		038-15470-10	Res 0603 47k 1/16w+-1%
L501		159-77220-35	Ind SMD 0603 2.2uh 10% Smi F	Q601		000-10084-71	Xstr BC847BW NPN SOT323	R245		038-15100-10	Res 0603 10k 1/16w +-1%	R373	H5	038-15100-10	Res 0603 10k 1/16w +-1%
L502		050-10000-40	Coil SMD DC/DC Convrt	Q602		000-10084-71	Xstr BC847BW NPN SOT323	R246	H5	038-15100-10	Res 0603 10k 1/16w +-1%	R373	H6	038-15100-00	Res 0603 10k 1/16w +-5%
L503		059-17470-15	Ind SMD 1008cs 4.7uh 2%	Q603		000-10002-05	Xstr SMD BSH205 P Mos SOT23	R246	H6	038-15100-00	Res 0603 10k 1/16w +-5%	R374		038-15470-10	Res 0603 47k 1/16w+-1%
L504		059-17470-15	Ind SMD 1008cs 4.7uh 2%	Q604		000-10084-71	Xstr BC847BW NPN SOT323	R247	H5	038-15100-10	Res 0603 10k 1/16w +-1%	R375		038-15220-00	Res 0603 22k 1/16w +-5%
L505		059-17820-10	Ind SMD 1008ls 8.2uh 5%	Q605		000-10002-05	Xstr SMD BSH205 P Mos SOT23	R247	H6	038-15100-00	Res 0603 10k 1/16w +-5%	R376		038-15470-10	Res 0603 47k 1/16w+-1%
L506		057-10010-20	Ind 0603 Blm11-B102s 0.1a	Q700		000-10085-71	Xstr SMD BC857BW PNP SOT323	R249		038-10000-00	Res 0603 Zero Ohm 1/16w +-5%	R377		038-15100-10	Res 0603 10k 1/16w +-1%
L507		059-15150-00	Ind SMD 0603cs 15nh 5%	Q701		000-10084-73	Xstr BC847BPNNPN/PNP SOT363	R250		038-16100-10	Res 0603 100k 1/16w +-1%	R378		038-15470-10	Res 0603 47k 1/16w+-1%
L509		059-16330-05	Ind SMD 0805cs 330nh 5%	Q702		000-10084-71	Xstr BC847BW NPN SOT323	R251		038-10000-00	Res 0603 Zero Ohm 1/16w +-5%	R379		038-14680-00	Res 0603 6k8 1/16w +-5%
L510	H5	052-57423-40	Coil A/W SMD 4t/2.3mm .57mm	Q703		000-10084-73	Xstr BC847BPNNPN/PNP SOT363	R252		038-12220-00	Res 0603 22e 1/16w +-5%	R380		038-14220-00	Res 0603 2k2 1/16w +-5%
L510	H6	052-57419-40	Coil A/W SMD 4t/1.9mm .57mm	Q704		000-10084-73	Xstr BC847BPNNPN/PNP SOT363	R253		038-12220-00	Res 0603 22e 1/16w +-5%	R381		038-15470-10	Res 0603 47k 1/16w+-1%
L513		059-16330-05	Ind SMD 0805cs 330nh 5%	Q705		000-10084-73	Xstr BC847BPNNPN/PNP SOT363	R300		036-02680-02	Res 1206 68e 5% 0.25w 200v	R382		038-14470-00	Res 0603 4k7 1/16w +-5%
L514		059-16330-05	Ind SMD 0805cs 330nh 5%	Q706		000-10084-73									

Ref	Var	IPN	Description	Ref	Var	IPN	Description	Ref	Var	IPN	Description	Ref	Var	IPN	Description
R413		038-14270-00	Res 0603 2k7 1/16w +-5%	R548		038-12220-00	Res 0603 22e 1/16w +-5%	R709		038-15470-10	Res 0603 47k 1/16w+-1%	R5001	H6	038-13270-00	Res 0603 270e 1/16w +-5%
R414	H5	038-12100-00	Res 0603 10e 1/16w +-5%	R549		038-12220-00	Res 0603 22e 1/16w +-5%	R710		038-15470-10	Res 0603 47k 1/16w+-1%	R5002		038-14270-00	Res 0603 2k7 1/16w +-5%
R414	H6	038-12220-00	Res 0603 22e 1/16w +-5%	R550		038-15180-00	Res 0603 18k 1/16w	R711		038-15470-10	Res 0603 47k 1/16w+-1%	R5003	H5	038-14100-10	Res 0603 1k0 1/16w +-1%
R415		038-13180-00	Res 0603 180e 1/16w +-5%	R551		038-14270-00	Res 0603 2k7 1/16w +-5%	R712		038-14470-00	Res 0603 4k7 1/16w +-5%	R5003	H6	038-14120-10	Res 0603 1K2 1%
R416		038-15220-00	Res 0603 22k 1/16w +-5%	R552		038-15120-00	Res 0603 12k 1/16w +-5%	R713		038-15330-10	Res 0603 33k 1%	R5004	H5	038-14100-10	Res 0603 1k0 1/16w +-1%
R417		038-14470-00	Res 0603 4k7 1/16w +-5%	R554	H5	038-14150-00	Res 0603 1k5 1/16w +-5%	R714		038-12560-00	Res 0603 56e 1/16w +-5%	R5004	H6	038-14120-10	Res 0603 1K2 1%
R418		038-14680-00	Res 0603 6k8 1/16w +-5%	R554	H6	038-14180-00	Res 0603 1k8 1/16w	R715		038-13820-00	Res 0603 820e 1/16w +-5%	R5005		038-13180-00	Res 0603 180e 1/16w +-5%
R419		038-12150-10	Res 0603 15e 1/16w +-1%	R555		038-16100-10	Res 0603 100k 1/16w +-1%	R716		038-15100-10	Res 0603 10k 1/16w +-1%	R5006	H5	038-14150-00	Res 0603 1k5 1/16w +-5%
R420		038-14100-10	Res 0603 1k0 1/16w +-1%	R556	H5	038-14680-00	Res 0603 6k8 1/16w +-5%	R717		038-15470-10	Res 0603 47k 1/16w+-1%	R5006	H6	038-14220-00	Res 0603 2k2 1/16w +-5%
R421		038-15100-10	Res 0603 10k 1/16w +-1%	R556	H6	038-14820-00	Res 0603 8k2 1/16w +-5%	R718	H5	038-15100-10	Res 0603 10k 1/16w +-1%	R5007	H5	038-14100-10	Res 0603 1k0 1/16w +-1%
R422		038-16100-10	Res 0603 100k 1/16w +-1%	R557		038-14220-00	Res 0603 2k2 1/16w +-5%	R718	H6	038-15100-00	Res 0603 10k 1/16w +-5%	R5007	H6	038-14120-10	Res 0603 1K2 1%
R423		038-16100-10	Res 0603 100k 1/16w +-1%	R558		038-14470-00	Res 0603 4k7 1/16w +-5%	R719		038-14560-00	Res 0603 5k6 1/16w +-5%	R5008	H5	038-14100-10	Res 0603 1k0 1/16w +-1%
R424		038-12470-00	Res 0603 47e 1/16w +-5%	R559		038-14220-00	Res 0603 2k2 1/16w +-5%	R720		038-15100-10	Res 0603 10k 1/16w +-1%	R5008	H6	038-14120-10	Res 0603 1K2 1%
R425		038-14100-10	Res 0603 1k0 1/16w +-1%	R560		038-14220-00	Res 0603 2k2 1/16w +-5%	R721		038-15470-10	Res 0603 47k 1/16w+-1%	R5010		038-15100-10	Res 0603 10k 1/16w +-1%
R426		038-14150-00	Res 0603 1k5 1/16w +-5%	R561		038-12220-00	Res 0603 22e 1/16w +-5%	R722		038-13560-00	Res 0603 560e 1/16w +-5%	R5011		038-15220-00	Res 0603 2k2 1/16w +-5%
R427		038-14150-00	Res 0603 1k5 1/16w +-5%	R562		038-12470-00	Res 0603 47e 1/16w +-5%	R723		038-15330-10	Res 0603 33k 1%	R5012		038-14220-00	Res 0603 2k2 1/16w +-5%
R428		038-13390-00	Res 0603 390e 1/16w +-5%	R563		038-12330-00	Res 0603 33e 1/16w +-5%	R724		038-15330-10	Res 0603 33k 1%	R5014	H5	038-15100-10	Res 0603 10k 1/16w +-1%
R429		038-14220-00	Res 0603 2k2 1/16w +-5%	R564		038-13330-00	Res 0603 330e 1/16w +-5%	R725		038-15330-10	Res 0603 33k 1%	R5014	H6	038-15100-00	Res 0603 10k 1/16w +-5%
R430		038-15390-00	Res 0603 39k 1/16w +-5%	R565		038-14180-00	Res 0603 1k8 1/16w	R726		038-15330-10	Res 0603 33k 1%	SK100		240-10006-00	Skt SMD Dual Row Ra 2.54mm
R431		038-17100-00	Res 0603 1m 1/16w +-5%	R566		038-15270-20	Res 0603 27k +-0.5%	R727		038-15330-10	Res 0603 33k 1%	SK101		240-02022-00	Skt Drng 15Way Ra S/Line Fem
R432		038-17100-00	Res 0603 1m 1/16w +-5%	R567		038-12220-00	Res 0603 22e 1/16w +-5%	R728		038-15330-10	Res 0603 33k 1%	SK102		240-10000-11	Conn SMD 18w Skt M/Match
R433		038-14120-10	Res 0603 1K2 1%	R568		038-14330-00	Res 0603 3k3 1/16w +-5%	R729		038-15330-10	Res 0603 33k 1%	SK103		240-00028-00	Conn Rf Female Bnc TMA
R434		038-15270-00	Res 0603 27k 1/16w +-5%	R569		038-16100-10	Res 0603 100k 1/16w +-1%	R730		038-15330-10	Res 0603 33k 1%	SPARE1		036-10000-00	Res M/F SMD 0805 0e 0.125w
R435		038-13470-00	Res 0603 470e 1/16w +-5%	R570		038-15270-20	Res 0603 27k +-0.5%	R731		038-14100-10	Res 0603 1k0 1/16w +-1%	SPARE2		036-10000-00	Res M/F SMD 0805 0e 0.125w
R436		038-13560-00	Res 0603 560e 1/16w +-5%	R571		038-13390-00	Res 0603 390e 1/16w +-5%	R732		038-14100-10	Res 0603 1k0 1/16w +-1%	SPARE3		036-10000-00	Res M/F SMD 0805 0e 0.125w
R437	H5	038-15100-10	Res 0603 10k 1/16w +-1%	R572		038-12220-00	Res 0603 22e 1/16w +-5%	R733		038-14100-10	Res 0603 1k0 1/16w +-1%	SYN_BOT		319-01205-00	Shld Top Side VCO T/Orca
R437	H6	038-15100-00	Res 0603 10k 1/16w +-5%	R573		038-12330-00	Res 0603 33e 1/16w +-5%	R734		038-14100-10	Res 0603 1k0 1/16w +-1%	SYN_TOP		319-01260-00	Shld Can Synth 6.7mm TMA
R500		038-16100-10	Res 0603 100k 1/16w +-1%	R574		038-13470-00	Res 0603 470e 1/16w +-5%	R735		038-14100-10	Res 0603 1k0 1/16w +-1%	T400		050-10061-70	Bal Mxr SMD 617db-1018
R501		038-12220-00	Res 0603 22e 1/16w +-5%	R575		038-12220-00	Res 0603 22e 1/16w +-5%	R736		038-14100-10	Res 0603 1k0 1/16w +-1%	T401		050-10061-70	Bal Mxr SMD 617db-1018
R502		038-16100-10	Res 0603 100k 1/16w +-1%	R576		038-12220-00	Res 0603 22e 1/16w +-5%	R737		038-14100-10	Res 0603 1k0 1/16w +-1%	VCO_BOT		319-01206-01	Shld Bttm Side VCO T/Orca
R503		038-12220-00	Res 0603 22e 1/16w +-5%	R577		038-12220-00	Res 0603 22e 1/16w +-5%	R738		038-14100-10	Res 0603 1k0 1/16w +-1%	VCO_TOP		319-01205-00	Shld Top Side VCO T/Orca
R504		038-16150-10	Res 0603 150k 1%	R578		038-13470-00	Res 0603 470e 1/16w +-5%	R739		038-14100-10	Res 0603 1k0 1/16w +-1%	VCXO_BOT		319-01257-00	Shld Can Frt End TMA
R505		038-13100-10	Res 0603 100e 1/16w +-1%	R579		038-14470-00	Res 0603 4k7 1/16w +-5%	R740		038-16100-10	Res 0603 100k 1/16w +-1%	XF400		276-10000-18	Fitr Xtal 45.1m 12k B/W -E12ab
R506		038-13820-00	Res 0603 820e 1/16w +-5%	R580		038-12220-00	Res 0603 22e 1/16w +-5%	R741		038-16100-10	Res 0603 100k 1/16w +-1%	XF401		276-10000-13	Fitr Xtal 45.1m 15k B/W
R507		038-12470-00	Res 0603 47e 1/16w +-5%	R581		038-14560-00	Res 0603 5k6 1/16w +-5%	R742		038-16100-10	Res 0603 100k 1/16w +-1%	XL500		539-10011-00	Vctcxo 13.0MHz +-1.5ppm -30+80
R508		038-15100-10	Res 0603 10k 1/16w +-1%	R582		038-14560-00	Res 0603 5k6 1/16w +-5%	R743		038-14100-10	Res 0603 1k0 1/16w +-1%	XL501		274-10022-00	Xtal 13.0133MHz Hc-49/Sm+30ppm
R509		038-12470-00	Res 0603 47e 1/16w +-5%	R583		038-12220-00	Res 0603 22e 1/16w +-5%	R744		038-12470-00	Res 0603 47e 1/16w +-5%				
R510		038-13390-00	Res 0603 390e 1/16w +-5%	R584	H5	038-13330-00	Res 0603 330e 1/16w +-5%	R745		038-16100-10	Res 0603 100k 1/16w +-1%				
R511		038-16100-10	Res 0603 100k 1/16w +-1%	R584	H6	038-13390-00	Res 0603 390e 1/16w +-5%	R746	H5	038-15100-10	Res 0603 10k 1/16w +-1%				
R512		038-12180-00	Res 0603 18e 1/16w +-5%	R585		038-12220-00	Res 0603 22e 1/16w +-5%	R746	H6	038-15100-00	Res 0603 10k 1/16w +-5%				
R513		038-10000-00	Res 0603 Zero Ohm 1/16w +-5%	R587		038-12220-00	Res 0603 22e 1/16w +-5%	R747		038-10000-00	Res 0603 Zero Ohm 1/16w +-5%				
R514		038-15100-10	Res 0603 10k 1/16w +-1%	R588		038-12470-00	Res 0603 47e 1/16w +-5%	R748		038-14470-00	Res 0603 4k7 1/16w +-5%				
R515		038-15100-10	Res 0603 10k 1/16w +-1%	R590		038-14470-00	Res 0603 4k7 1/16w +-5%	R749		038-14470-00	Res 0603 4k7 1/16w +-5%				
R517		038-15560-00	Res 0603 56k 1/16w +-5%	R591		038-14220-00	Res 0603 2k2 1/16w +-5%	R750		038-14470-00	Res 0603 4k7 1/16w +-5%				
R518	H5	038-15100-10	Res 0603 10k 1/16w +-1%	R592		038-14470-00	Res 0603 4k7 1/16w +-5%	R751		038-14470-00	Res 0603 4k7 1/16w +-5%				
R518	H6	038-15100-00	Res 0603 10k 1/16w +-5%	R593		038-14560-00	Res 0603 5k6 1/16w +-5%	R753		038-14470-00	Res 0603 4k7 1/16w +-5%				
R519		038-12470-00	Res 0603 47e 1/16w +-5%	R594		038-14270-00	Res 0603 2k7 1/16w +-5%	R754		038-14470-00	Res 0603 4k7 1/16w +-5%				
R520		038-12470-00	Res 0603 47e 1/16w +-5%	R598		038-14270-00	Res 0603 2k7 1/16w +-5%	R755		038-14470-00	Res 0603 4k7 1/16w +-5%				
R521		038-15100-10	Res 0603 10k 1/16w +-1%	R600		038-15330-10	Res 0603 33k 1%	R756		038-14470-00	Res 0603 4k7 1/16w +-5%				
R522		038-12560-00	Res 0603 56e 1/16w +-5%	R601		038-15330-10	Res 0603 33k 1%	R757		038-15470-10	Res 0603 47k 1/16w+-1%				
R523		038-16100-10	Res 0603 100k 1/16w +-1%	R603		038-14100-10	Res 0603 1k0 1/16w +-1%	R758		038-15470-10	Res 0603 47k 1/16w+-1%				
R524		038-15560-00	Res 0603 56k 1/16w +-5%	R604		038-13270-00	Res 0603 270e 1/16w +-5%	R759		038-15470-10	Res 0603 47k 1/16w+-1%				
R525		038-12470-00	Res 0603 47e 1/16w +-5%	R607		038-15100-10	Res 0603 10k 1/16w +-1%	R760		038-15470-10	Res 0603 47k 1/16w+-1%				
R526		038-14100-10	Res 0603 1k0 1/16w +-1%	R610		038-15120-00	Res 0603 12k 1/16w +-5%	R761		038-12560-00	Res 0603 56e 1/16w +-5%				
R527		038-15330-10	Res 0603 33k 1%	R611		038-11470-00	Res 0603 4e7 1/16w +-5%	R762		038-12560-00	Res 0603 56e 1/16w +-5%				
R528		038-13470-00	Res 0603 470e 1/16w +-5%	R612		038-10000-00	Res 0603 Zero Ohm 1/16w +-5%	R763		038-12560-00	Res 0603 56e 1/16w +-5%		</		

Grid Reference Index

PCB IPN 220-01697-05

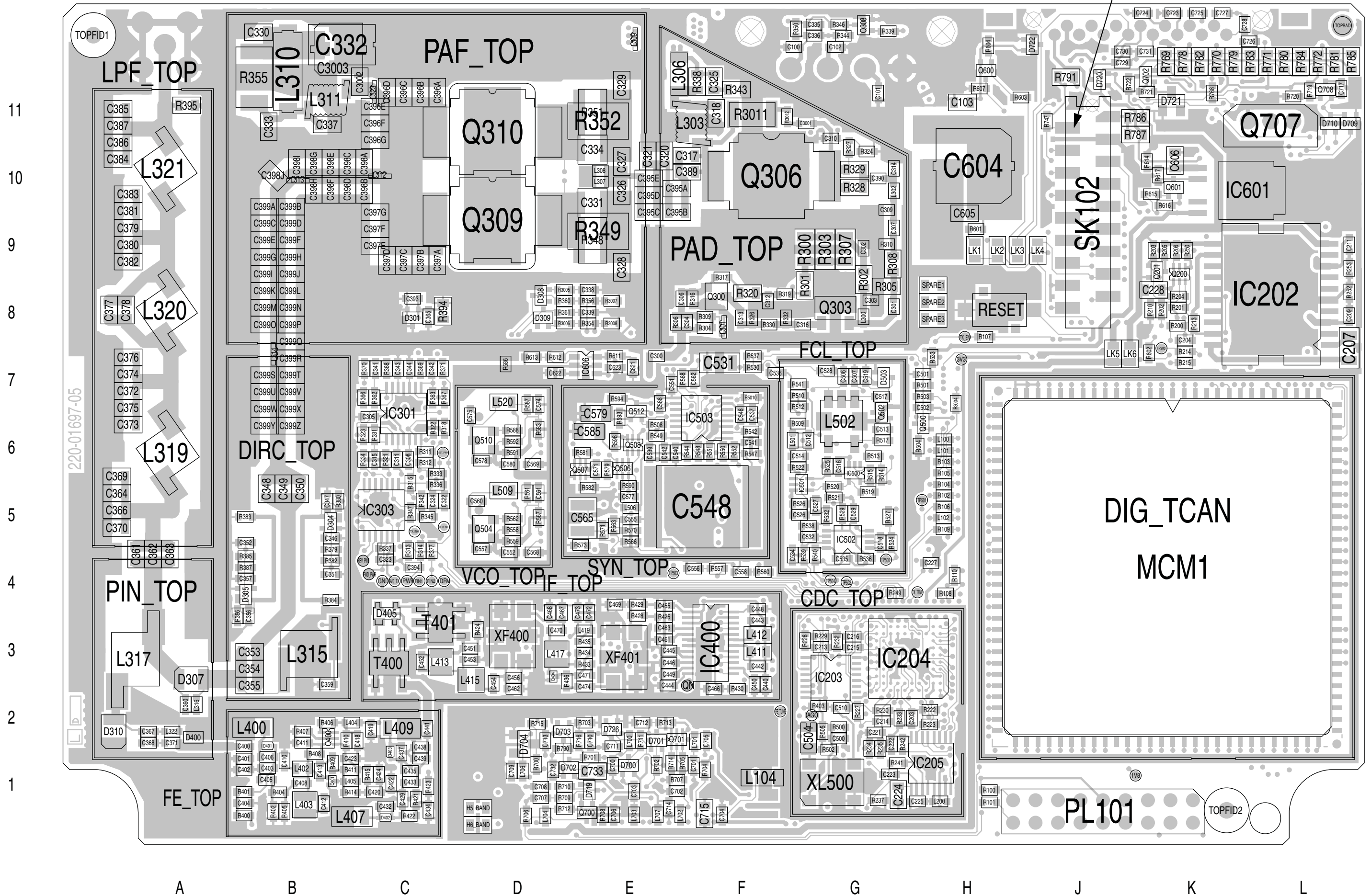
Device	PCB	Circuit	Device	PCB	Circuit	Device	PCB	Circuit	Device	PCB	Circuit	Device	PCB	Circuit	Device	PCB	Circuit	Device	PCB	Circuit	Device	PCB	Circuit
1V8	1:K1	1-H7	C330	1:B11	3-E5	C397A	1:C9	3-G2	C435	1:C1	4-H6	C539	1:E6	5-H8	C706	1:E1	7-C4	D601	2:K9	6-C5	IC201	2:G1	2-E3
3V3	1:H7	1-M0	C331	1:E10	3-E4	C397B	1:C9	3-G3	C436	2:F3	4-H2	C540	1:E6	5-H8	C707	1:D1	7-C0	D602	2:J9	6-E6	IC201	2:G1	2-N4
9V0	2:H5	1-M1	C332	1:B11	3-F5	C397C	1:C9	3-G2	C437	1:C2	4-H5	C541	1:F6	5-H5	C708	1:D1	7-C0	D602	2:J9	6-E5	IC201	2:G1	2-K0
9V0_TX	1:C4	3-A9	C333	1:B11	3-F4	C397D	1:C9	3-G3	C438	1:C2	4-J6	C542	1:E6	5-H8	C709	1:D1	7-C0	D603	2:K8	6-C4	IC202	1:L8	2-D1
AGC	1:G2	1-P7	C334	1:E11	3-F3	C397E	1:C9	3-G2	C439	1:C1	4-J6	C543	2:F6	5-H2	C710	1:E2	7-D2	D603	2:K8	6-D4	IC203	1:G3	2-J1
C1	2:C3	1-P4	C335	1:G11	3-F6	C397F	1:C9	3-G3	C440	1:F3	4-J1	C544	2:F7	5-H4	C711	1:E2	7-D2	D604	2:K8	6-C3	IC204	1:H3	2-K4
C100	1:G11	1-A8	C336	1:G11	3-F6	C397G	1:C10	3-G2	C441	1:C2	4-J6	C545	2:E4	5-J0	C712	1:E2	7-D8	D604	2:K8	6-C4	IC205	1:H1	2-P2
C101	1:G11	1-B8	C337	1:B11	3-F4	C398A	1:C10	3-H3	C442	1:F3	4-K2	C546	1:F7	5-J8	C713	1:D2	7-D3	D606	2:H10	6-G6	IC301	1:C7	3-C8
C102	1:G11	1-B8	C338	1:E8	3-F1	C398B	1:C10	3-H3	C443	1:F4	4-K1	C547	2:E5	5-J1	C714	1:E1	7-F0	D700	1:E1	7-B8	IC301	1:C7	3-G0
C103	1:H11	1-B8	C339	1:E8	3-F0	C398C	1:C10	3-H3	C444	1:E3	4-K1	C548	1:F5	5-J6	C715	1:F1	7-F1	D700	1:E1	7-B8	IC301	1:C7	3-G1
C104	2:K2	1-D6	C340	2:E11	3-D5	C398D	1:C10	3-H3	C445	1:E3	4-L1	C549	2:E5	5-J0	C717	1:L11	7-F8	D701	1:E2	7-C8	IC301	1:C7	3-A6
C105	2:K2	1-E6	C341	1:C7	3-G2	C398E	1:B10	3-H3	C446	1:E3	4-L0	C550	2:F6	5-K6	C718	2:H11	7-Q1	D701	1:E2	7-C8	IC301	1:C7	3-B7
C106	2:L2	1-E6	C342	1:C7	3-G0	C398F	1:B10	3-H3	C448	1:F4	4-L2	C551	1:E7	5-J8	C719	2:J11	7-N1	D702	1:E1	7-B3	IC303	1:C5	3-E7
C107	2:J2	1-F8	C343	1:C7	3-H1	C398G	1:B10	3-J3	C449	1:E3	4-L0	C552	1:D5	5-J2	C720	2:J11	7-N0	D702	1:E1	7-B3	IC303	1:C5	3-J6
C108	2:J2	1-F7	C344	1:C7	3-H0	C398H	1:B10	3-J3	C450	1:F3	4-L2	C553	2:E5	5-J0	C721	2:J11	7-N0	D703	1:D2	7-C3	IC303	1:C5	3-J5
C109	2:J2	1-F7	C345	2:C5	3-H7	C398I	1:B10	3-J3	C451	1:D3	4-M6	C554	2:E5	5-J0	C722	2:J11	7-N0	D703	1:D2	7-C3	IC303	1:C5	3-M0
C110	2:J2	1-F7	C346	1:B5	3-K5	C398J	1:B10	3-J3	C452	1:C3	4-M7	C555	1:E5	5-K6	C723	1:K11	7-Q2	D704	1:D2	7-C3	IC303	1:C5	3-J7
C114	2:G11	1-B8	C347	1:B5	3-K4	C399A	1:B10	3-N9	C453	1:D3	4-M6	C556	1:F4	5-K8	C724	1:K11	7-Q2	D705	2:K8	7-H4	IC400	1:F3	4-L0
C115	2:G11	1-B8	C348	1:B5	3-K3	C399B	1:B10	3-N9	C454	1:D3	4-N6	C557	1:D5	5-K3	C725	1:K11	7-Q6	D705	2:K8	7-H8	IC403	2:E3	4-D2
C201	2:K8	2-C4	C349	1:B5	3-K3	C399C	1:B9	3-P9	C455	1:E4	4-N2	C558	1:F4	5-L8	C726	1:L11	7-Q5	D706	2:K9	7-H7	IC500	1:G6	5-C8
C202	2:G2	2-D7	C350	1:B5	3-K3	C399D	1:B9	3-P9	C456	1:D3	4-N6	C559	2:D5	5-K2	C727	1:K11	7-Q4	D706	2:K9	7-H8	IC501	1:G6	5-D7
C203	1:H2	2-F5	C351	1:B4	3-L5	C399E	1:B9	3-P9	C457	2:F3	4-N1	C560	1:D5	5-L3	C728	1:L11	7-Q3	D707	2:K9	7-H6	IC502	1:G5	5-F0
C204	1:K8	2-D2	C352	1:B5	3-L1	C399F	1:B9	3-Q9	C458	2:F4	4-N1	C561	1:D5	5-L3	C729	1:J11	7-Q9	D707	2:K9	7-H6	IC502	1:G5	5-F7
C205	2:J7	2-E3	C353	1:B3	3-L3	C399G	1:B9	3-Q9	C459	2:F3	4-N1	C562	1:F7	5-L8	C730	1:J11	7-Q8	D708	2:K9	7-H5	IC502	1:G5	5-D5
C206	2:H1	2-D6	C354	1:B3	3-L3	C399H	1:B9	3-R9	C460	2:F3	4-N1	C563	2:D5	5-L3	C731	1:K11	7-Q8	D708	2:K9	7-H5	IC503	1:F7	5-H7
C207	1:L8	2-E2	C355	1:B3	3-L3	C399I	1:B9	3-R9	C461	1:E3	4-N2	C564	2:D6	5-L2	C732	1:D1	7-C0	D709	1:L11	7-M9	IC504	2:F5	5-H2
C208	2:H2	2-E7	C356	1:B4	3-L2	C399J	1:B9	3-N8	C462	1:D3	4-N6	C565	1:E5	5-M5	C733	1:E1	7-J0	D709	1:L11	7-M9	IC504	2:F5	5-M5
C209	1:L8	2-E1	C357	1:B4	3-M1	C399K	1:B8	3-N8	C463	1:E3	4-N2	C566	1:E7	5-M8	C3000	2:C5	3-M0	D710	1:L11	7-M8	IC504	2:F5	5-K6
C210	2:H1	2-F6	C358	2:C6	3-B7	C399L	1:B8	3-P8	C464	2:F4	4-N1	C567	2:E5	5-M0	C3001	1:G11	3-C4	D710	1:L11	7-M9	IC504	2:F5	5-L5
C211	1:L9	2-F1	C359	1:B3	3-M4	C399M	1:B8	3-P8	C465	2:F3	4-N1	C568	1:D5	5-M2	C3002	1:C11	3-F4	D711	2:K11	7-M6	IC504	2:F5	5-H2
C212	2:G1	2-F3	C360	1:A2	3-M4	C399N	1:B8	3-P8	C466	1:F3	4-P0	C569	1:D6	5-N2	C3003	1:B11	3-E5	D711	2:K11	7-M8	IC505	2:F7	5-H3
C213	1:G3	2-J5	C361	1:A5	3-N4	C399O	1:B8	3-Q8	C467	1:D4	4-P6	C570	2:E6	5-N0	C5000	2:E5	5-J1	D712	2:L7	7-B1	IC505	2:F7	5-J5
C214	1:G2	2-J4	C362	1:A5	3-N3	C399P	1:B8	3-Q8	C468	1:D4	4-P6	C571	1:E6	5-N4	C5001	2:E5	5-K1	D712	2:L7	7-B2	IC505	2:F7	5-K4
C215	1:G3	2-K5	C363	1:A5	3-N3	C399Q	1:B8	3-R8	C469	1:E4	4-P2	C572	2:D6	5-P3	C5004	2:E7	5-Q1	D713	2:K11	7-P7	IC600	2:J8	6-C1
C216	1:G3	2-K5	C364	1:A5	3-N3	C399R	1:B7	3-R8	C470	1:D3	4-Q6	C573	2:D7	5-P2	C5005	2:E7	5-R1	D713	2:K11	7-P6	IC601	1:K10	6-F8
C217	2:G3	2-K6	C365	1:C8	3-P7	C399S	1:B7	3-N8	C471	1:E3	4-R7	C574	1:D7	5-P3	C5006	2:E7	5-P1	D714	2:K11	7-P5	IC602	2:H9	6-F6
C218	2:F2	2-K1	C366	1:A5	3-N3	C399T	1:B7	3-N8	C472	1:E4	4-R7	C575	1:D7	5-P3	C5007	2:E5	5-K1	D714	2:K11	7-P6	IC603	2:G3	6-H4
C219	2:H3	2-L8	C367	1:A2	3-N2	C399U	1:B7	3-P8	C473	1:E4	4-R8	C576	2:D7	5-P2	CDC_BOT	2:G4	2-J0	D715	2:L11	7-M5	IC604	2:H3	6-H2
C220	2:H3	2-M8	C368	1:A2	3-N2	C399V	1:B7	3-P8	C474	1:E3	4-R7	C577	1:E5	5-Q4	CDC_TOP	1:H4	2-H0	D715	2:L11	7-M4	IC605	2:K10	6-H0
C221	1:G2	2-K5	C369	1:A6	3-N3	C399W	1:B7	3-P8	C500	1:G2	5-A8	C578	1:D6	5-Q3	D301	1:C8	3-N7	D716	2:K11	7-P5	IC606	1:E7	6-E3
C222	1:G2	2-N1	C370	1:A5	3-N3	C399X	1:B7	3-Q8	C501	1:H7	5-A0	C579	1:E7	5-H6	D301	1:C8	3-N7	D716	2:K11	7-P4	IF_TOP	1:C4	4-J0
C223	1:G1	2-P2	C371	1:A2	3-P2	C399Y	1:B6	3-Q8	C502	1:H7	5-B0	C580	1:D6	5-Q2	D303	2:F11	3-E6	D717	2:L11	7-P3	L100	1:H6	1-J3
C224	1:G1	2-P2	C372	1:A7	3-P3	C399Z	1:B6	3-R8	C503	2:G5	5-A3	C581	2:E7	5-R0	D304	1:B5	3-L4	D717	2:L11	7-P4	L101	1:H6	1-J3
C225	1:H1	2-Q3	C373	1:A6	3-P3	C400	1:B2	4-B6	C504	1:G2	5-B8	C582	2:E6	5-R1	D304	1:B5	3-K5	D718	2:K11	7-M3	L102	1:H5	1-J2
C226	2:G3	2-H6	C374	1:A7	3-P3	C401	1:B1	4-B5	C505	2:G6	5-B4	C583	2:E6	5-R0	D305	1:B4	3-M2	D718	2:K11	7-M2	L104	1:F1	1-B0
C227	1:H4	2-H5	C375	1:A7	3-P3	C402	1:B1	4-B5	C506	1:G7	5-B0	C584	2:E7	5-R0	D305	1:B4	3-L2	D719	1:E1	7-B0	L200	1:H1	2-P3
C228	1:K8	2-E2	C376	1:A7	3-P3	C403	1:B1	4-B5	C507	1:G7	5-B0	C585	1:E6	5-R6	D306	2:C5	3-M0	D719	1:E1	7-B0	L300	1:G8	3-A3
C300	1:E7	3-A1	C377	1:A8	3-Q4	C404	1:B1	4-C7	C508	2:G5	5-B3	C586	2:E7	5-R0	D306	2:C5	3-M1	D720	1:J11	7-P9	L301	1:F8	3-A0
C301	1:G8	3-A3	C378	1:A8	3-Q3	C405	1:B1	4-C6	C509	2:G5	5-B2	C600	2:G11	6-C6	D307	1:A3	3-M3	D720	1:J11	7-P9	L302	1:G10	3-B3
C302	1:G9	3-A4	C379	1:A9	3-Q3	C406	1:B2	4-C5	C510	1:G2	5-B8	C601	2:K8	6-D5	D308	1:D8	3-G1	D721	1:K11	7-F7	L303	1:F11	3-C4
C303	1:G8	3-A3	C380	1:A9	3-Q3	C408	1:B1	4-D6	C511	2:G5	5-C3	C602	2:K8	6-C2	D308	1:D8	3-G2	D722	1:J11	7-P9	L306	1:E11	3-D5
C304	1:F8	3-A0	C381	1:A10	3-Q3	C409	2:E3	4-D2	C512	1:G6	5-C7	C603	2:H9	6-H6	D309	1:D8	3-G0	D722	1:J11	7-P8	L307	1:E10	3-E3
C305	1:C7	3-A6	C382	1:A9	3-Q3	C410	1:B1	4-D5	C513	1:G6	5-C1	C604	1:H10	6-E6	D309	1:D8	3-G0	D723	2:J11	7-P8	L308	1:E10	3-E3
C306	1:F8	3-B0	C383	1:A10	3-R3	C411	1:B2	4-E6	C514	1:G6	5-C7	C605	1:H10	6-E6	D310	1:A2	3-N2	D723	2:J11	7-P8	L309	1:E11	3-E5
C307	1:G9	3-B3	C384	1:A10	3-R3	C412	1:B1	4-E5	C516	1:G6	5-D8	C606	1:K10	6-F9	D311	2:C5	3-K0	D724	2:J11	7-M2	L310	1:B11	3-F5
C308	1:C6	3-B7	C385	1:A11	3-R3	C413	1:B1	4-E6	C517	1:G7	5-D0	C608	2:H10	6-G7	D311	2:C5	3-K0	D725	2:K11	7-P2	L311	1:B11	3-F4
C309	1:G10	3-B3	C386	1:A11	3-R3	C414	2:E3	4-E2	C518	1:G5	5-D6	C609	2:G3	6-G5	D400	1:A2	4-A5	D725	2:K11	7-P2	L312	1:C10	3-H3
C310	1:G11	3-B4	C387	1:A11	3-R3	C415	2:E3	4-E1	C519	1:G7	5-D0	C610	2:H3	6-G2	D400	1:A2	4-A5	D726	1:E2	7-D2	L313	1:B10	3-J3
C311	1:C6	3-C8	C388	2:C5	3-F8	C416	2:E3	4-E2	C520	2:G7	5-D3	C611	2:K9	6-H9	D401	1:B2	4-B5	D726	1:E2	7-D2	L314	1:B7	3-K3
C312	1:F8	3-C1	C389	1:F10	3-D4	C417	2:E3	4-F1	C521	2:G7	5-D3	C612	2:H8	6-H6	D402	1:C1	4-G5						

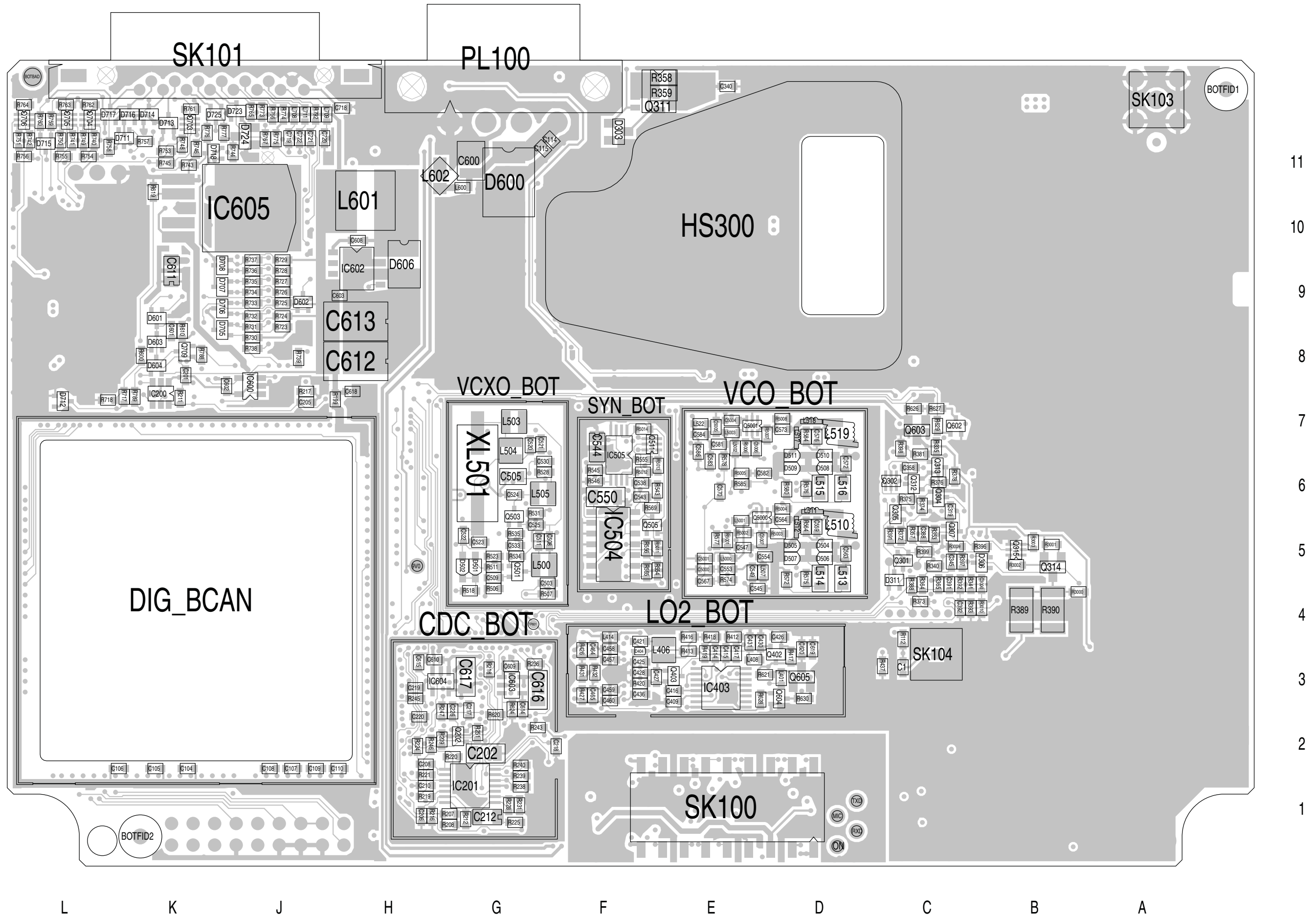
Grid Reference Index

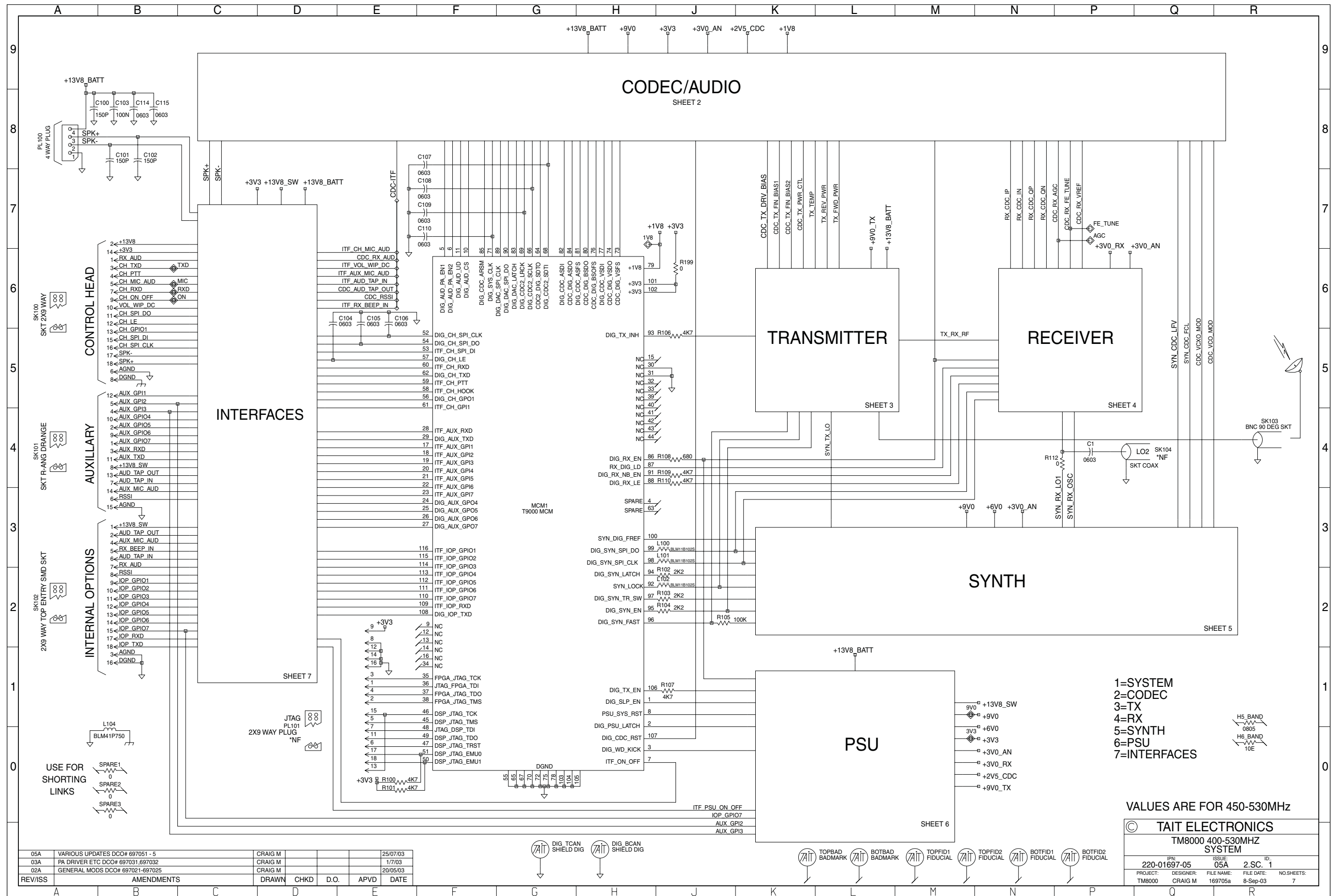
PCB IPN 220-01697-05

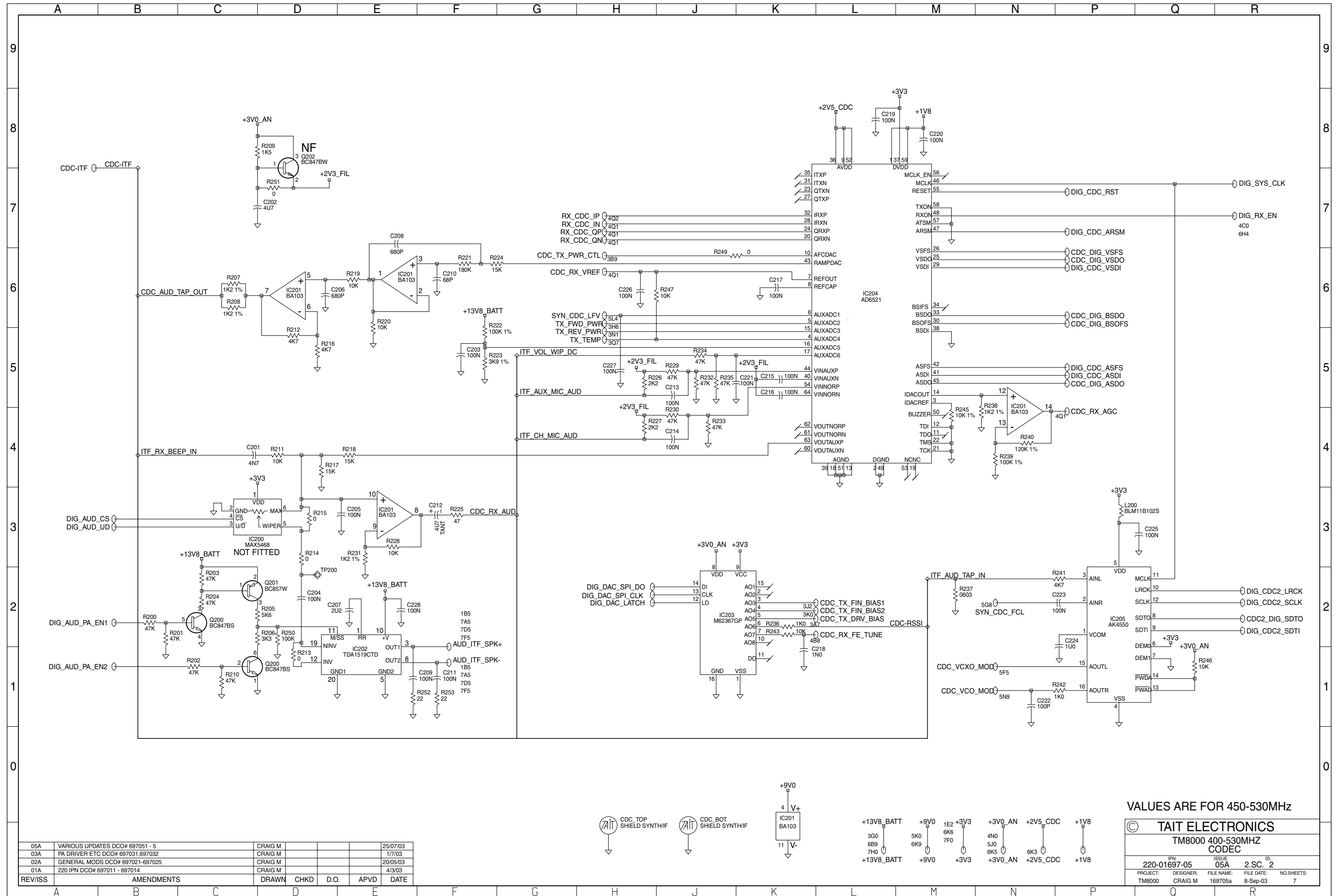
Device	PCB	Circuit	Device	PCB	Circuit	Device	PCB	Circuit	Device	PCB	Circuit	Device	PCB	Circuit	Device	PCB	Circuit	Device	PCB	Circuit	Device	PCB	Circuit
L411	1:F3	4-K1	Q309	1:D9	3-F3	R208	2:G1	2-C6	R334	1:C6	3-D8	R411	1:C1	4-E6	R551	1:F6	5-J7	R711	1:E2	7-C8	R789	2:K7	7-C2
L412	1:F3	4-K1	Q310	1:D11	3-F2	R209	2:H2	2-D8	R335	2:C7	3-A6	R412	2:E4	4-F1	R552	1:F6	5-K6	R712	1:D1	7-C1	R790	1:D2	7-D0
L413	1:C3	4-M6	Q311	2:F11	3-F6	R210	1:K8	2-C1	R336	1:C6	3-D7	R413	2:E4	4-F1	R554	2:F5	5-K5	R713	1:E2	7-C8	R791	1:J11	7-N1
L414	2:F4	4-M3	Q312	2:C6	3-J0	R211	2:K7	2-D4	R337	1:C5	3-J6	R414	1:C1	4-F6	R555	2:F6	5-K5	R714	1:E1	7-C7	R792	2:J11	7-N0
L415	1:D3	4-M6	Q313	2:C6	3-K0	R212	2:G1	2-D5	R338	1:F11	3-D5	R415	1:C1	4-F6	R556	2:F5	5-K5	R715	1:D2	7-C3	R3000	2:B4	3-M5
L417	1:D3	4-Q6	Q314	2:B5	3-M5	R213	1:K8	2-D1	R339	1:G11	3-D6	R416	2:E4	4-G2	R557	1:F4	5-K8	R716	1:E2	7-C3	R3001	2:B5	3-M5
L419	1:E3	4-R8	Q315	2:B5	3-N5	R214	1:K8	2-D3	R340	2:C5	3-H6	R417	2:D3	4-G4	R558	1:D5	5-K3	R717	2:K7	7-B2	R3002	2:B5	3-N5
L500	2:G5	5-B3	Q315	2:B5	3-N5	R215	1:K7	2-D3	R341	2:C5	3-M0	R418	2:E4	4-G2	R559	1:D5	5-K2	R718	2:L7	7-C1	R3003	2:B5	3-N5
L501	1:F6	5-C7	Q400	1:B2	4-D6	R216	2:H1	2-D5	R342	1:C5	3-D7	R419	2:E3	4-G2	R560	1:F4	5-K8	R719	1:L11	7-F9	R3004	1:H7	3-P5
L502	1:G6	5-C0	Q400	1:B2	4-D6	R217	2:J8	2-D4	R343	1:F11	3-D4	R420	2:F3	4-G1	R561	1:D5	5-K3	R720	1:L11	7-F8	R3005	1:D8	3-F1
L503	2:G7	5-D3	Q401	1:B1	4-E6	R218	2:G3	2-E4	R344	1:G11	3-E6	R421	1:C1	4-G7	R562	1:D5	5-K2	R721	1:K11	7-F7	R3006	1:D8	3-F0
L504	2:G7	5-D2	Q402	2:D3	4-G3	R219	2:H1	2-E6	R345	1:C5	3-E6	R422	1:C1	4-G6	R563	1:E5	5-L5	R722	1:J11	7-F7	R3007	1:E8	3-F1
L505	2:G6	5-E4	Q403	2:E3	4-G2	R220	2:G2	2-E6	R346	1:G11	3-E6	R423	1:C1	4-H6	R564	2:D5	5-K2	R723	2:J9	7-J8	R3008	1:E8	3-F0
L506	1:E5	5-H9	Q404	1:D3	4-R6	R221	2:H2	2-F6	R347	1:C5	3-F7	R424	1:D3	4-M6	R565	2:F5	5-L5	R724	2:J9	7-J8	R3009	2:C5	3-J6
L507	2:E5	5-J0	Q500	1:H6	5-A1	R222	1:H2	2-F5	R348	1:E9	3-E4	R425	1:E4	4-P2	R566	1:E5	5-L4	R725	2:J9	7-J7	R3010	2:C4	3-L0
L509	1:D5	5-K3	Q501	2:G5	5-B3	R223	1:H2	2-F5	R349	1:E9	3-E4	R426	2:F4	4-P1	R567	1:D5	5-L4	R726	2:J9	7-J6	R3011	1:F11	3-C4
L510	2:D5	5-L3	Q502	1:G7	5-D0	R224	2:H2	2-G6	R350	1:G11	3-F6	R427	2:F3	4-P1	R568	1:F7	5-L8	R727	2:J9	7-J6	R3012	1:F11	3-C4
L511	2:D6	5-L2	Q503	2:G6	5-E4	R225	2:G1	2-F3	R351	1:E11	3-F3	R428	1:E4	4-P2	R569	2:F6	5-M6	R728	2:J9	7-J5	R5001	2:E5	5-L2
L512	2:D5	5-L2	Q504	1:D5	5-K3	R226	1:G3	2-H5	R352	1:E11	3-F3	R429	1:E4	4-P2	R570	1:E5	5-M4	R729	2:J10	7-J5	R5002	2:E5	5-L1
L513	2:D5	5-L3	Q505	2:F5	5-M6	R227	1:G2	2-H4	R353	2:C5	3-F8	R430	1:F3	4-P1	R571	1:E5	5-M5	R730	2:J8	7-J4	R5003	2:D5	5-L1
L514	2:D5	5-M2	Q506	1:E6	5-Q5	R228	2:G1	2-E3	R354	1:E8	3-F0	R431	2:F3	4-P1	R572	2:D5	5-L2	R731	2:J9	7-J8	R5004	2:D6	5-L0
L515	2:D6	5-N2	Q506	1:E6	5-N5	R229	1:G3	2-J5	R355	1:B11	3-F5	R432	2:F3	4-P1	R573	1:E5	5-M4	R732	2:J9	7-J7	R5005	2:E6	5-P2
L516	2:D6	5-P3	Q507	1:E6	5-P4	R230	1:G2	2-J4	R356	1:E8	3-F1	R433	1:E3	4-Q6	R574	2:E5	5-M0	R733	2:J9	7-J7	R5006	2:E7	5-P1
L517	2:D7	5-P2	Q507	1:E6	5-N4	R231	2:G1	2-E3	R357	2:C5	3-F8	R434	1:E3	4-R7	R575	2:D5	5-M2	R734	2:J9	7-J6	R5007	2:E7	5-P1
L518	2:D7	5-P2	Q508	1:E6	5-Q4	R232	1:G3	2-J5	R358	2:E11	3-F6	R435	1:E3	4-R7	R576	2:D6	5-N2	R735	2:J9	7-J6	R5008	2:D7	5-P0
L519	2:D7	5-P3	Q508	1:E6	5-Q6	R233	1:G2	2-J4	R359	2:E11	3-F6	R436	1:D3	4-R7	R577	2:E5	5-N5	R736	2:J9	7-J5	R5010	1:F7	5-K4
L520	1:D7	5-Q3	Q510	1:D6	5-Q3	R234	1:G2	2-J5	R360	1:D8	3-G1	R437	2:C3	4-G0	R578	2:E6	5-N0	R737	2:J10	7-J4	R5011	2:F5	5-L4
L522	2:E7	5-R0	Q511	2:F7	5-K5	R235	1:G2	2-J5	R361	1:D8	3-G0	R500	1:G2	5-A8	R579	1:E6	5-N5	R738	2:J8	7-J4	R5012	2:F6	5-J5
L600	2:G11	6-D7	Q511	2:F7	5-K5	R236	2:G3	2-K2	R362	1:C7	3-G1	R501	1:H7	5-A0	R580	2:D6	5-P2	R739	2:J8	7-J3	R5013	2:F6	5-J5
L601	2:H10	6-H6	Q512	1:E7	5-J6	R237	1:G1	2-M2	R363	1:C7	3-G0	R502	1:G2	5-A8	R581	1:E6	5-P4	R740	2:L11	7-M5	R5014	2:F7	5-K4
L602	2:H11	6-D7	Q600	1:H11	6-C5	R238	2:G1	2-N4	R364	2:C5	3-G7	R503	1:H7	5-B0	R582	1:E5	5-P4	R741	2:L11	7-M4	RESET	1:H8	6-B1
L700	1:E2	7-D7	Q601	1:K10	6-E8	R239	2:G2	2-N4	R365	2:C5	3-G6	R504	1:H6	5-B1	R583	1:D6	5-P4	R742	2:L11	7-M3	REV_PWR	1:C4	3-L1
L701	1:F2	7-D7	Q602	2:C7	6-H7	R240	2:G2	2-N4	R366	1:C7	3-H1	R505	1:G2	5-B9	R584	2:D7	5-P2	R743	2:K11	7-M3	RXD	2:D1	1-B6
L702	1:E1	7-D6	Q603	2:C7	6-J8	R241	1:G1	2-P2	R367	1:C7	3-H0	R506	2:G4	5-B2	R585	2:E6	5-Q5	R744	2:J11	7-M2	SET_PWR	1:C6	3-B6
L703	1:E1	7-D6	Q604	2:D3	6-J4	R242	1:G2	2-P1	R368	1:C7	3-H1	R507	2:G4	5-B4	R586	1:D7	5-H0	R745	2:K11	7-M7	SK100	2:E1	1-A5
L704	1:D1	7-D1	Q605	2:D3	6-J4	R243	2:G2	2-K2	R369	1:C7	3-H0	R508	1:E6	5-J6	R587	1:D7	5-Q3	R746	2:K11	7-N2	SK101	2:K11	1-A4
L706	1:D1	7-D0	Q700	1:E1	7-B1	R245	2:H3	2-M4	R370	1:C7	3-H1	R509	1:G6	5-B6	R588	1:D6	5-Q2	R747	1:J11	7-M1	SK102	1:J10	1-A2
L707	1:E1	7-E1	Q701	1:E2	7-C8	R246	2:H2	2-Q1	R371	1:C7	3-H0	R510	1:G7	5-B6	R590	1:E6	5-Q5	R748	2:K11	7-M7	SK103	2:A11	1-R4
L708	2:J11	7-N1	Q701	1:E2	7-B8	R247	2:H3	2-J6	R372	2:C5	3-J0	R511	2:G5	5-C2	R591	1:D6	5-Q2	R749	2:L11	7-M5	SK104	2:C3	1-P4
L709	2:J11	7-N1	Q702	1:K11	7-F7	R249	1:G4	2-K6	R373	2:C4	3-J1	R512	1:G7	5-C6	R592	1:D6	5-Q3	R750	2:L11	7-M4	SPARE1	1:H8	1-B0
L711	2:J11	7-N0	Q703	2:K11	7-M7	R250	1:K9	2-D2	R374	2:C6	3-J1	R513	1:G6	5-C8	R593	1:E7	5-Q4	R751	2:L11	7-M3	SPARE2	1:H8	1-B0
L5000	2:E5	5-K1	Q703	2:K11	7-N7	R251	2:G2	2-D7	R375	2:C6	3-K0	R514	1:G6	5-C8	R594	1:E7	5-H6	R753	2:K11	7-N7	SPARE3	1:H8	1-B0
L5001	2:E6	5-K1	Q704	2:L11	7-M5	R252	1:L8	2-E1	R376	2:C6	3-K0	R515	1:G6	5-C8	R598	1:E6	5-R6	R754	2:L11	7-N5	SYN_BOT	2:E6	5-N0
L5002	2:E7	5-P1	Q704	2:L11	7-N5	R253	1:L9	2-F1	R377	1:C5	3-K0	R517	1:G6	5-C0	R600	2:K8	6-B4	R755	2:L11	7-N4	SYN_TOP	1:D6	5-L0
L5003	2:E7	5-Q1	Q705	2:L11	7-N4	R300	1:G9	3-A4	R378	2:C6	3-K0	R518	2:G4	5-C2	R601	1:H9	6-C6	R756	2:L11	7-N3	T400	1:C3	4-K6
LK1	1:H9	6-C6	Q705	2:L11	7-M4	R301	1:G8	3-A5	R379	1:B5	3-K5	R519	1:G5	5-C9	R602	1:K7	6-D1	R757	2:K11	7-N7	T401	1:C3	4-L6
LK2	1:H9	6-B6	Q706	2:L11	7-N3	R302	1:G9	3-A4	R380	1:B5	3-K4	R520	1:G6	5-D8	R603	1:J11	6-B5	R758	2:L11	7-N6	TP200	1:K8	2-D2
LK3	1:H9	6-B5	Q706	2:L11	7-M3	R303	1:G9	3-A4	R381	2:C7	3-L0	R521	1:G5	5-D7	R604	1:H11	6-B5	R759	2:L11	7-N5	TP500	1:G4	5-C5
LK4	1:J9	6-B4	Q707	1:L11	7-P7	R304	1:F8	3-A0	R382	1:B4	3-L4	R522	1:G6	5-D6	R607	1:H11	6-C4	R760	2:L11	7-N4	TP501	1:H5	5-F5
LK5	1:J7	7-G1	Q708	1:L11	7-F8	R305	1:G8	3-A3	R383	1:B5	3-L3	R523	2:G5	5-D2	R610	2:K8	6-D5	R761	2:K11	7-N7	TP502	1:G4	5-F8
LK6	1:J7	7-G1	Q709	2:K8	7-C2	R306	1:E8	3-A0	R384	1:B4	3-L4	R524	1:G5	5-D6	R611	1:E7	6-D3	R762	2:L11	7-N5	TP503	1:E4	5-N9
LO2_BOT	2:D4	4-J0	Q5000	2:E6	5-K1	R307	1:G9	3-A4	R385	1:B4	3-L2	R525	1:G6	5-D8	R612	1:D7	6-E4	R763	2:L11	7-N4	TP504	1:G4	5-C8
LPF_TOP	1:A5	3-R0	Q5000	2:E6	5-K1	R308	1:G9	3-A3	R386	1:B4	3-L3	R526	1:G5	5-E7	R613	1:D7	6-E4	R764	2:L11	7-N3	TP601	2:G4	6-K5
MCM1	1:K4	1-G3	Q5001	2:E7	5-Q1	R309	1:F8	3-A0	R387	1:B4	3-L2	R527	1:G5	5-E5	R614	1:K10	6-E9	R765	2:J11	7-N9	TXD	2:D1	1-B6
MIC	2:D1	1-B6	Q5001	2:E7	5-Q1	R310	1:G9	3-B3	R388	2:C5	3-M0	R528	2:G6	5-E4	R615	1:K10	6-E8	R766	2:J11	7-N8	TX_EN	1:H8	6-J7
ON	2:D1	1-B6	QN	1:F3	4-P1	R311	1:F3	3-C7	R389	2:B4	3-M5	R529	1:G5	5-E6	R616	1:K10	6-E8	R767	2:J11	7-N8	TX_INH	1:C5	3-J0
PAD_TOP	1:H10	3-Q1	R100	1:H1	1-E0	R312	1:C6	3-C7	R390	2:B4	3-M5	R530	1:F7	5-E0	R617	1:K10	6-E9	R768	1:K11	7-N7	TX_TEMP	1:H4	3-P7
PAF_TOP	1:A11	3-Q1	R101	1:H1	1-E0	R313	1:C5	3-B8	R391	2:C5	3-N0	R531	2:G6	5-E3	R619	2:K11	6-G1	R769	1:K11	7-N8	VCO_BOT	2:D5	5-P0
PIN_TOP	1:A1	3-R1	R102	1:H5	1-J2	R314	1:C5	3-B9	R392	2:C5	3-N1	R532	1:G5	5-E7	R620	2:G3	6-G5	R770	1:K11	7-N6	VCO_TOP	1:C5	5-M0
PL100	2:G11	1-A8	R103	1:H6	1-J2	R315	1:C6	3-B7	R393	2:C4	3-N0	R533	1:H7	5-A0	R621	2:E3	6-K4						

The SK102 connector may be labelled "PL103" on the PCB.



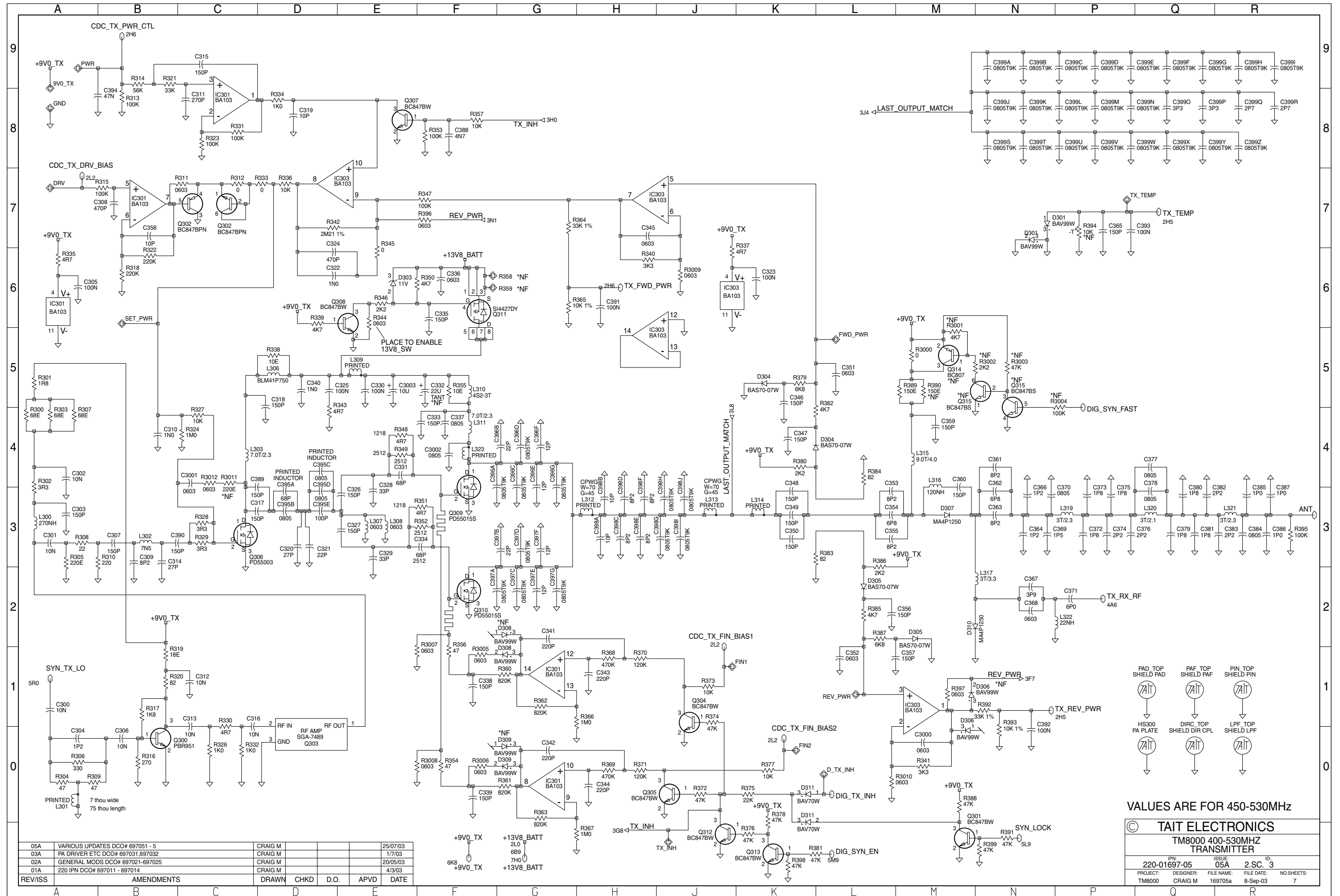




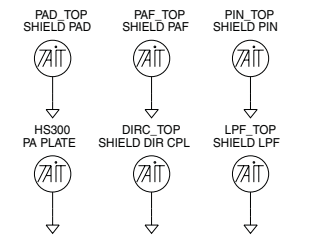


VALUES ARE FOR 450-530MHZ

© TAIT ELECTRONICS
 TM8000 400-530MHZ CODEC
 IPN: 220-01697-05 ISSUE: 05A 2.SC. 2
 PROJECT: TM8000 DESIGNER: CRAIG M FILE NAME: 169705a FILE DATE: 8-Sep-03 NO.SHEETS: 7

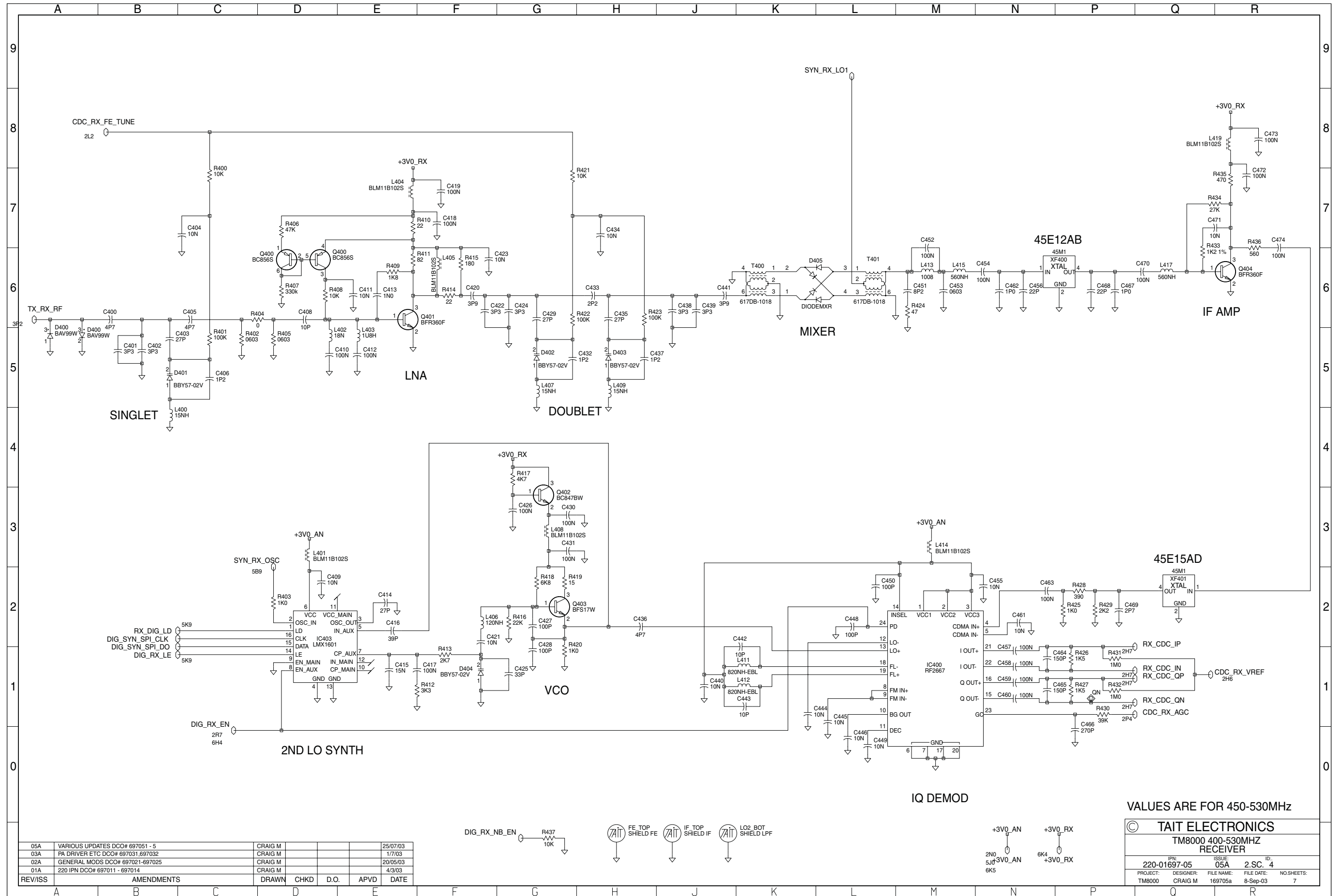


05A	VARIOUS UPDATES DCO# 697051 - 5	CRAIG M			25/07/03	
03A	PA DRIVER ETC DCO# 697031,697032	CRAIG M			17/03	
02A	GENERAL MODS DCO# 697021-697025	CRAIG M			20/05/03	
01A	220 IPN DCO# 697011 - 697014	CRAIG M			4/3/03	
REV/ISS	AMENDMENTS	DRAWN	CHKD	D.O.	APVD	DATE



VALUES ARE FOR 450-530MHZ

© TAIT ELECTRONICS			
TM8000 400-530MHZ TRANSMITTER			
IPN:	ISSUE:	ID:	
220-01697-05	05A	2.SC. 3	
PROJECT:	DESIGNER:	FILE NAME:	FILE DATE:
TM8000	CRAIG M	169705a	8-Sep-03
			NO.SHEETS:
			7



05A	VARIOUS UPDATES DCO# 697051 - 5	CRAIG M			25/07/03
03A	PA DRIVER ETC DCO# 697031,697032	CRAIG M			17/03
02A	GENERAL MODS DCO# 697021-697025	CRAIG M			20/05/03
01A	220 IPN DCO# 697011 - 697014	CRAIG M			4/3/03
REV/ISS	AMENDMENTS	DRAWN	CHKD	D.O.	APVD DATE

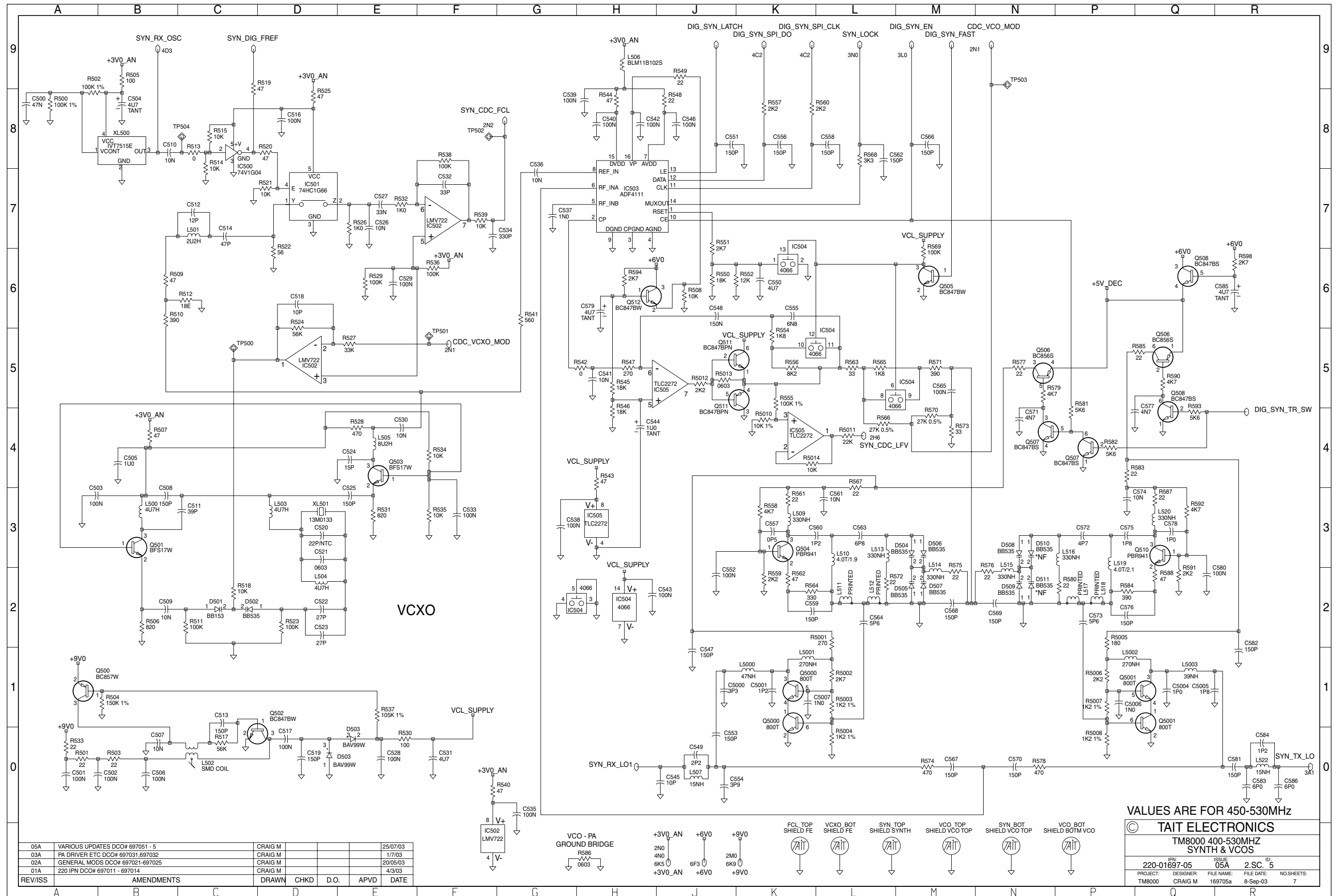
VALUES ARE FOR 450-530MHZ

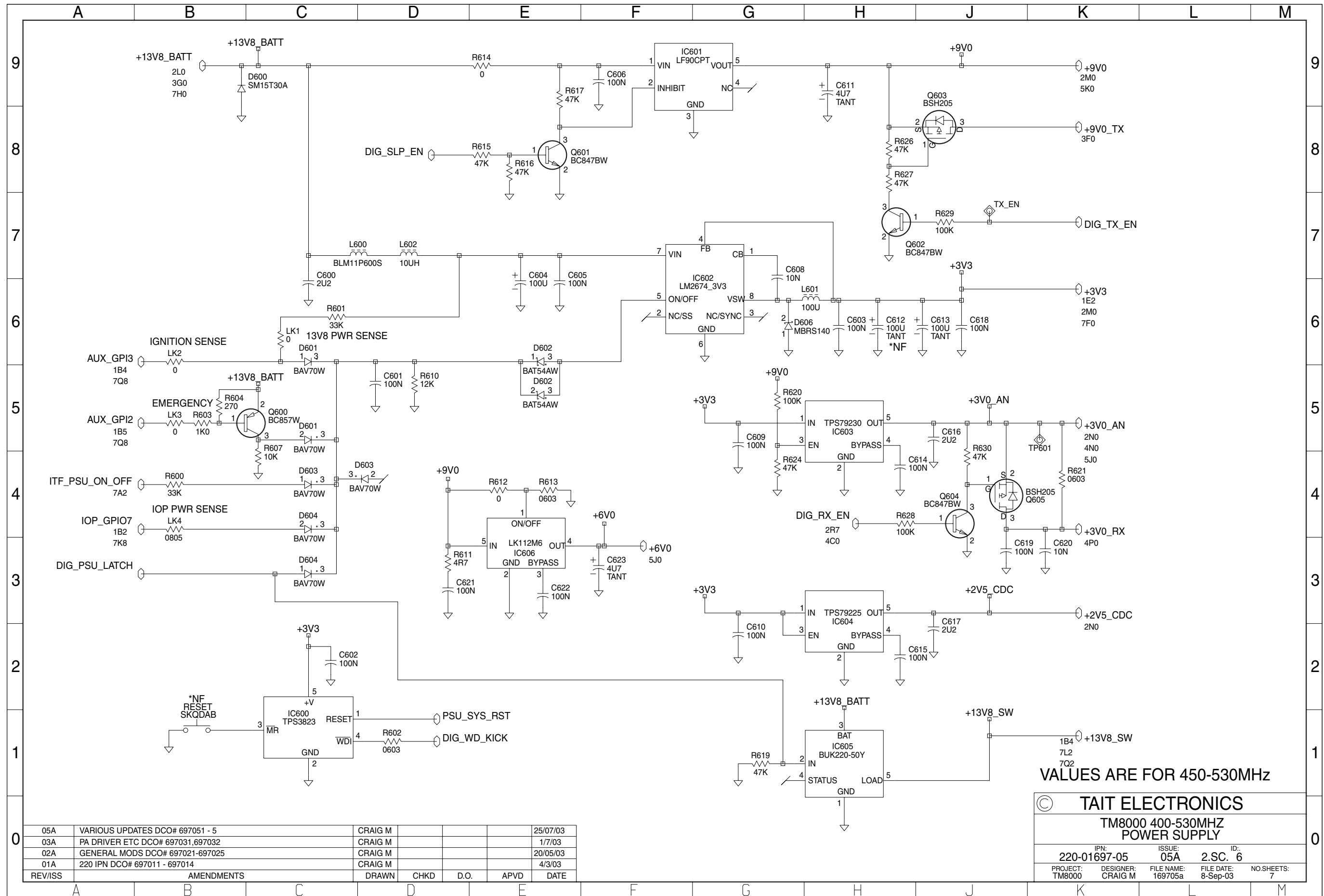
© TAIT ELECTRONICS

TM8000 400-530MHZ RECEIVER

IPN: 220-01697-05 ISSUE: 05A 2.SC. 4

PROJECT: TM8000 DESIGNER: CRAIG M FILE NAME: 169705a NO.SHEETS: 7





VALUES ARE FOR 450-530MHz

© TAIT ELECTRONICS

TM8000 400-530MHZ
POWER SUPPLY

IPN: 220-01697-05	ISSUE: 05A	ID: 2.SC. 6
PROJECT: TM8000	DESIGNER: CRAIG M	FILE NAME: 169705a
	FILE DATE: 8-Sep-03	NO.SHEETS: 7

05A	VARIOUS UPDATES DCO# 697051 - 5	CRAIG M			25/07/03	
03A	PA DRIVER ETC DCO# 697031,697032	CRAIG M			1/7/03	
02A	GENERAL MODS DCO# 697021-697025	CRAIG M			20/05/03	
01A	220 IPN DCO# 697011 - 697014	CRAIG M			4/3/03	
REV/ISS	AMENDMENTS	DRAWN	CHKD	D.O.	APVD	DATE

